



PIAGGIO & C.s.p.a.



SPARE PARTS CATALOGUE



California Alum./Tit. PI Cat. 1100 2003-2004

Chassis prefix: ZGUKD

Engine prefix:

CALIFORNIA

GU009



Index

Products.....	4
Part reference.....	11
FRAME.....	17
Drawing 33.05 - Fuel supply.....	17
Drawing 33.06 - Internal fuel pump.....	18
Drawing 33.08 - Air box.....	19
Drawing 33.09 - Exhaust unit.....	20
Drawing 33.16 - Gear lever.....	21
Drawing 33.17 - Transmission complete I.....	22
Drawing 33.18 - Transmission complete II.....	23
Drawing 33.19 - Frame.....	25
Drawing 33.20 - Cradle.....	27
Drawing 33.21 - Foot rests.....	28
Drawing 33.22 - Lateral stand.....	30
Drawing 33.23 - Fuel tank.....	31
Drawing 33.24 - Fuel vapour recover system.....	33
Drawing 33.25 - Saddle-Central bod.....	34
Drawing 33.26 - Front mudguard.....	36
Drawing 33.27 - Rear mudguard.....	37
Drawing 33.28 - Windshield.....	38
Drawing 33.29 - F.fork-R.shock absorber.....	39
Drawing 33.30 - Front fork.....	40
Drawing 33.31 - Front wheel.....	42
Drawing 33.32 - Rear wheel.....	43
Drawing 33.33 - RH Front brake system.....	45
Drawing 33.34 - LH Front brake system.....	46
Drawing 33.35 - Rear brake caliper.....	48
Drawing 33.36 - Rear master cylinder.....	49
Drawing 33.37 - Handlebar - Controls.....	51
Drawing 33.38 - Dashboard.....	53
Drawing 33.39 - Front lights.....	55
Drawing 33.40 - Rear lights.....	57
Drawing 33.44 - Electrical systeme.....	59
Drawing 33.45 - Electrical system.....	61
ENGINE.....	63
Drawing 34.01 - Crank-case.....	63
Drawing 34.02 - Heads.....	65
Drawing 34.03 - Crankshaft - Piston.....	67
Drawing 34.04 - Timing system.....	69
Drawing 34.07 - Throttle body.....	70
Drawing 34.10 - Supply - Oil pump.....	71
Drawing 34.11 - Single-plate clutch 1st series.....	73
Drawing 34.12 - Double-plate clutch 2nd series.....	74



Drawing 34.13 - Transmission cage.....	75
Drawing 34.14 - Primary gear shaft.....	77
Drawing 34.15 - Driven shaft.....	78
Drawing 34.41 - Generator - Regulator.....	80
Drawing 34.42 - Starter motor.....	81
Drawing 34.43 - Starter motor cover.....	82



Products

Code	Validity
9032533US202UNC	
9032534US403UNC	
9032534US405UNC	
903253705221UNC	
9032542US401AUNC	
9032543US402UNC	
903257405108UNC	
9032583US202UNC	
GU900056301101	
GU900056301701	
GU900056301902	
GU900056305101	
GU900056305102	
GU900056305115	
GU900056305701	
GU900056305702	
GU900056305705	
GU900056305710	
GU900056305717	
GU900056321102	
GU900056321115	
GU9032174US701	
GU9032211US503	
GU9032529EU301	
GU9032533US201	
GU9032533US202	
GU9032533US401	
GU9032533US402	
GU9032533US403	
GU9032534US202	
GU9032534US203	
GU9032534US401	
GU9032534US402	
GU9032534US403	
GU9032534US404	
GU9032534US405	
GU903253501201	
GU903253501208	
GU903253501221	
GU903253505201	
GU903253505208	
GU903253505221	



Code	Validity
GU903253506201	
GU903253506208	
GU903253506221	
GU903253508201	
GU903253509208	
GU9032536AU201	
GU9032536AU202	
GU9032536AU203	
GU9032536AU304	
GU9032536AU305	
GU9032536EU201	
GU9032536EU202	
GU9032536EU203	
GU9032536EU304	
GU9032536EU305	
GU9032536GB201	
GU9032536GB202	
GU9032536GB203	
GU9032536GB304	
GU9032536GB305	
GU9032536JP201	
GU9032536JP202	
GU9032536JP203	
GU903253701221	
GU903253705221	
GU903253706221	
GU903253707221	
GU903253708221	
GU903253709221	
GU9032538AU201	
GU9032538AU202	
GU9032538AU203	
GU9032538AU304	
GU9032538EU201	
GU9032538EU202	
GU9032538EU203	
GU9032538EU304	
GU9032538EU305	
GU9032538GB201	
GU9032538GB202	
GU9032538GB203	
GU9032538GB304	
GU9032538GB305	
GU9032538JP201	
GU9032538JP202	



Code	Validity
GU9032538JP203	
GU9032538JP305	
GU9032538NZ202	
GU9032542US201	
GU9032542US203	
GU9032542US401	
GU9032542US402	
GU9032542US403	
GU9032543US202	
GU9032543US203	
GU9032543US402	
GU9032543US403	
GU903254505208	
GU903254505215	
GU903254505219	
GU903254505221	
GU9032546AU201	
GU9032546AU202	
GU9032546AU203	
GU9032546EU201	
GU9032546EU202	
GU9032546EU203	
GU9032546GB201	
GU9032546GB202	
GU9032546GB203	
GU9032546JP201	
GU9032546JP202	
GU9032546JP203	
GU9032546NZ201	
GU9032547AU202	
GU9032547AU203	
GU9032547EU202	
GU9032547EU203	
GU9032547GB202	
GU9032547GB203	
GU9032547JP202	
GU9032547JP203	
GU9032547NZ202	
GU9032547NZ203	
GU903254805205	
GU903254805226	
GU903255601203	
GU903255601222	
GU903255605203	
GU903255605222	



Code	Validity
GU903255608203	
GU903255608222	
GU903256401906	
GU903256601802	
GU903256601805	
GU903256601808	
GU903256601905	
GU903256601908	
GU903256601909	
GU903256605802	
GU903256605805	
GU903256605808	
GU903256605809	
GU903256605820	
GU903256605905	
GU903256605908	
GU903256621905	
GU903256621908	
GU903256701805	
GU903256701815	
GU903256705801	
GU903256705805	
GU903256705815	
GU903256705821	
GU903256721801	
GU903256721805	
GU903256721815	
GU903256721821	
GU903257201108	
GU903257201115	
GU903257201119	
GU903257201121	
GU903257205115	
GU903257221108	
GU903257221115	
GU903257301103	
GU903257301122	
GU903257305103	
GU903257305122	
GU903257401108	
GU903257401115	
GU903257401121	
GU903257401123	
GU903257405108	
GU903257405121	



Code	Validity
GU903257405123	
GU903257421108	
GU903257421121	
GU903257421123	
GU903258105227	
GU9032582AU202	
GU9032582EU201	
GU9032582EU202	
GU9032582GB201	
GU9032582GB202	
GU9032582JP201	
GU9032582JP202	
GU9032582NZ202	
GU9032583EU701	
GU9032583US201	
GU9032583US202	
GU9032583US402	
GU9032584AU601	
GU9032584CA701	
GU9032584CA801	
GU9032584CA901	
GU9032584CA902	
GU9032584EU601	
GU9032584EU801	
GU9032584EU802	
GU9032584GB601	
GU9032584GB801	
GU9032584GB802	
GU9032584JP601	
GU9032584JP801	
GU9032584JP802	
GU9032584US701	
GU9032584US801	
GU9032584US901	
GU9032584US902	
GU9032585AU601	
GU9032585AU602	
GU9032585AU603	
GU9032585AU704	
GU9032585EU601	
GU9032585EU602	
GU9032585EU603	
GU9032585EU704	
GU9032585GB601	
GU9032585GB602	



Code	Validity
GU9032585GB704	
GU9032585JP601	
GU9032585JP602	
GU9032586AU601	
GU9032586AU602	
GU9032586EU601	
GU9032586EU602	
GU9032586EU603	
GU9032586GB601	
GU9032586GB602	
GU9032586GB603	
GU9032586JP601	
GU9032586JP602	
GU903259101205	
GU903259101226	
GU903259106205	
GU903259106226	
GU903259107205	
GU903259107226	
GU903259109226	
GU903259301123	
GU903259305123	
GU903259306123	
GU903259307123	
GU903259308123	
GU903259321123	
GU903259401127	
GU903259405127	
GU903259406127	
GU903259407127	
GU903259408127	
GU903259409127	
GU903259501105	
GU903259501126	
GU903259505126	
GU903259601121	
GU903259701208	
GU903259701215	
GU903259701219	
GU903259701221	
GU903259705208	
GU903259705215	
GU903259705219	
GU903259705221	
GU903259706208	



Code	Validity
GU903259706215	
GU903259706219	
GU903259706221	
GU903259707215	
GU903259707219	
GU903259708208	
GU903259708215	
GU903259708219	
GU903259708221	
GU903259709208	
GU903259709215	
GU903259801203	
GU903259801222	
GU903259805203	
GU903259805222	
GU903259807203	
GU903259821203	
GU903259821222	
GU9032700US602	



Code	Drawing Nr.	Pos.	Code	Drawing Nr.	Pos.	Code	Drawing Nr.	Pos.
0000000	34.42	5	GU01721600	33.44	16	GU03100271	33.24	1
0000000	34.42	6	GU01722700	33.44	20	GU03101600	33.23	9
0000000	34.42	7	GU01722701	33.44	20	GU03101720	33.23	10
0000000	34.42	8	GU01722702	33.44	20	GU03101900	33.23	6
AP8120870	33.09	24	GU01722703	33.44	20	GU03102200	33.23	8
AP8124235	33.45	30	GU01722704	33.44	20	GU03102400	33.23	7
AP8127286	33.45	30	GU01722705	33.44	20	GU03103070	33.06	3
AP8144222	33.30	6	GU01732530	33.44	3	GU03103200	33.23	11
GU00155930171	33.27	3	GU01732530	33.45	21	GU03103500	33.23	29
GU00823931055	33.20	15	GU01743790	33.39	19	GU03103920	33.24	2
GU00823931055	33.23	28	GU01743791	33.39	20	GU03103970	33.23	5
GU00823931055	34.43	3	GU01744200	33.39	25	GU03104370	33.23	32
GU00823931070	33.25	17	GU01756100	33.39	3	GU03106170	33.06	6
GU00823931080	33.19	17	GU01756220	33.39	6	GU03106400	33.23	4
GU00823931082	33.25	9	GU01766031	33.38	18	GU03107270	33.05	1
GU00823944050	33.08	17	GU01782500	33.38	6	GU03107270	33.06	1
GU00823944050	33.45	29	GU02517700	34.01	18	GU03112560	34.07	1
GU00823950050	33.36	11	GU02573900	33.25	29	GU03113365	34.07	18
GU00823952080	33.05	6	GU02746900	33.39	2	GU03113367	34.07	18
GU00823956050	33.24	6	GU02747901	33.45	11	GU03113465	34.07	19
GU00823956060	33.24	5	GU02762301	33.38	13	GU03113467	34.07	19
GU00823956080	33.08	12	GU02764000	33.38	12	GU03114370	34.07	7
GU00823956080	33.24	7	GU02766300	33.38	31	GU03117565	33.37	6
GU00823956080	34.10	30	GU02768200	33.38	28	GU03120965	33.09	1
GU00823956080	34.13	28	GU02768400	33.38	29	GU03120966	33.09	2
GU01001630	34.01	21	GU02768600	33.38	7	GU03121230	33.09	22
GU01023560	34.02	36	GU03000755	34.01	1	GU03121955	33.09	16
GU01037030	34.02	28	GU03000756	34.01	1	GU03122571	33.09	21
GU01038730	34.02	10	GU03001461	34.01	15	GU03122900	33.09	15
GU01051700	34.04	8	GU03003555	34.01	26	GU03122965	33.09	15
GU01054000	34.04	5	GU03007260	34.10	31	GU03123000	33.09	10
GU01054500	34.04	9	GU03007360	34.10	32	GU03123065	33.09	10
GU01061532	34.03	14	GU03013800	33.08	7	GU03123470	33.09	9
GU01062030	34.03	17	GU03013800	33.16	8	GU03123471	33.09	17
GU01062031	34.03	17	GU03013800	33.19	18	GU03123900	33.09	8
GU01062032	34.03	17	GU03013800	33.21	12	GU03123955	33.09	8
GU01062033	34.03	17	GU03013800	33.22	23	GU03128601	33.09	11
GU01062230	34.03	15	GU03013800	33.29	14	GU03132865	33.37	14
GU01106090	33.06	2	GU03013800	33.32	17	GU03157460	34.10	27
GU01106692	33.05	4	GU03013800	33.34	13	GU03158200	34.10	12
GU01107490	33.06	4	GU03013800	33.44	40	GU03163330	33.44	35
GU01108490	33.06	5	GU03013800	33.45	7	GU03200255	34.13	1
GU01116031	33.24	10	GU03022130	34.02	1	GU03200855	34.13	11
GU01121030	33.09	5	GU03023565	34.02	36	GU03211160	34.14	8
GU01153602	34.10	23	GU03030230	34.02	25	GU03211260	34.14	9
GU01336800	33.32	12	GU03030430	34.02	26	GU03211630	34.14	3
GU01474630	33.40	18	GU03036000	34.02	6	GU03211660	34.14	11
GU01517700	33.29	21	GU03036100	34.02	5	GU03212000	34.14	17
GU01517700	34.43	2	GU03045030	34.04	1	GU03214500	34.15	13
GU01528930	33.18	9	GU03045830	34.04	2	GU03214800	34.15	11
GU01528930	34.13	26	GU03048230	34.04	20	GU03215100	34.15	5
GU01530500	34.07	3	GU03048330	34.04	21	GU03234400	34.15	20
GU01530504	34.07	2	GU03053330	34.04	3	GU03236250	34.15	32
GU01573940	33.28	14	GU03053332	34.04	3	GU03250860	33.16	1
GU01575442	33.28	2	GU03060132	34.03	1	GU03251045	33.16	3
GU01577242	33.28	3	GU03060230	34.03	3	GU03256800	33.16	11
GU01609630	33.37	11	GU03067030	34.03	20	GU03257633	33.16	9
GU01652230	33.34	1	GU03067055	34.03	20	GU03257731	33.16	7
GU01652330	33.33	16	GU03067730	34.03	21	GU03257801	33.16	20
GU01654630	33.33	20	GU03068055	34.03	22	GU03258250	33.16	21
GU01654630	33.34	33	GU03080155	34.11	1	GU03270300	33.09	19
GU01659130	33.33	22	GU03081955	34.11	3	GU03270300	33.19	9
GU01659130	33.34	6	GU03084055	34.11	2	GU03270300	33.21	3
GU01659131	33.33	23	GU03084400	34.12	3	GU03270300	33.22	12
GU01659131	33.34	31	GU03084455	34.11	4	GU03270300	33.29	20
GU01659230	33.33	21	GU03093066	33.37	21	GU03270300	34.01	13
GU01659230	33.34	5	GU03100270	33.23	1	GU03328050	33.17	12



Code	Drawing Nr.	Pos.	Code	Drawing Nr.	Pos.	Code	Drawing Nr.	Pos.
GU03350250	33.18	1	GU03476268	33.25	16	GU03605545	33.37	16
GU03351450	33.18	28	GU03476269	33.25	22	GU03605645	33.33	2
GU03400152	33.19	1	GU03476365	33.25	20	GU03610340	33.31	1
GU03420331	33.20	1	GU03476368	33.25	20	GU03610840	33.31	12
GU03422130	33.20	2	GU03476369	33.25	33	GU03611445	33.21	2
GU03429500	33.20	12	GU03478165	33.25	30	GU03611445	33.31	8
GU03429600	33.22	25	GU03478265	33.25	23	GU03611640	33.31	5
GU03429765	33.22	16	GU03478330	33.25	28	GU03611750	33.31	6
GU03429865	33.22	17	GU03478331	33.25	24	GU03614101	33.31	9
GU03432070	33.22	1	GU03479545	33.19	2	GU03615640	33.31	16
GU03432740	33.22	7	GU03490266	33.29	1	GU03616340	33.31	10
GU03433470	33.22	6	GU03490630	33.30	29	GU03620340	33.31	14
GU03433850	33.22	10	GU03490730	33.30	27	GU03630650	33.32	1
GU03434070	33.22	3	GU03493100	33.30	1	GU03630740	33.32	26
GU03434365	33.26	1	GU03494000	33.30	4	GU03631250	33.32	8
GU03434366	33.26	1	GU03496130	33.39	8	GU03632440	33.32	22
GU03434367	33.26	1	GU03496230	33.39	11	GU03633370	33.32	11
GU03436300	34.43	6	GU03498100	33.30	8	GU03634150	33.32	19
GU03436600	33.26	2	GU03500265	33.37	27	GU03634850	33.35	12
GU03437130	33.27	1	GU03500665	33.37	28	GU03635701	33.32	9
GU03437166	33.27	1	GU03522501001	33.30	30	GU03635851	33.35	6
GU03437167	33.27	1	GU03522601001	33.30	28	GU03653001	33.35	1
GU03437430	33.27	6	GU03525440	33.30	19	GU03654600	33.35	2
GU03437765	33.27	2	GU03526600	33.30	18	GU03656200	33.34	20
GU03437767	33.27	2	GU03530270	33.29	9	GU03657165	33.33	13
GU03437865	33.27	4	GU03530510	33.30	20	GU03657500	33.35	7
GU03437867	33.27	4	GU03530521	33.30	7	GU03658201	33.33	15
GU03438030	33.27	10	GU03530524	33.30	22	GU03658201	33.34	9
GU03438830	33.40	23	GU03530525	33.30	23	GU03658330	33.34	8
GU03438831	33.40	24	GU03530526	33.30	24	GU03658430	33.33	14
GU03440730	33.21	24	GU03530527	33.30	25	GU03658500	33.36	14
GU03441130	33.21	29	GU03530528	33.30	26	GU03658801	33.34	7
GU03441830	33.21	25	GU03530529	33.30	11	GU03659700	33.33	6
GU03442200	33.21	14	GU03530530	33.30	10	GU03660145	33.33	1
GU03443565	33.21	5	GU03530541	33.30	13	GU03661145	33.33	10
GU03443730	33.21	26	GU03530548	33.30	12	GU03664045	33.33	3
GU03443960	33.21	1	GU03530549	33.30	14	GU03667300	33.34	25
GU03443961	33.21	37	GU03530550	33.30	15	GU03668200	33.34	21
GU03444230	33.21	4	GU03530551	33.30	16	GU03668500	33.34	18
GU03446065	33.21	7	GU03530552	33.30	17	GU03668801	33.34	24
GU03446965	33.20	3	GU03530553	33.30	21	GU03668900	33.34	26
GU03446967	33.20	3	GU03531000	33.29	8	GU03669000	33.37	26
GU03447465	33.20	4	GU03531800	33.29	7	GU03669001	33.37	25
GU03447467	33.20	4	GU03540255	33.17	1	GU03675170	33.36	27
GU03459330	33.25	11	GU03541850	33.29	16	GU03675930	33.36	21
GU03459331	33.25	14	GU03547060	33.17	6	GU03678160	33.16	2
GU03460560	33.25	1	GU03547800	33.17	4	GU03703870	34.41	2
GU03462345	33.19	24	GU03550260	33.29	15	GU03704540	33.45	26
GU03462801	33.23	25	GU03550261	33.29	15	GU03704550	33.45	18
GU03464060	33.25	2	GU03555250	33.18	21	GU03704570	33.45	18
GU03466930	33.25	6	GU03558165	33.25	5	GU03707140	33.45	9
GU03466966	33.25	6	GU03558167	33.25	5	GU03716770	33.44	22
GU03466967	33.25	6	GU03558265	33.25	7	GU03717450	33.44	14
GU03467330	33.25	4	GU03558267	33.25	7	GU03718350	33.44	12
GU03467343	33.19	35	GU03575365	33.28	1	GU03725875	33.44	1
GU03467366	33.25	4	GU03575465	33.28	2	GU03729230	33.44	5
GU03467367	33.25	4	GU03576170	33.26	7	GU03729555	33.44	2
GU03469200	33.19	12	GU03577565	33.28	7	GU03729565	33.44	2
GU03472460	33.23	22	GU03578665	33.28	8	GU03733000	34.43	7
GU03472960	33.23	23	GU03578730	33.27	15	GU03733365	34.43	1
GU03474530	33.40	19	GU03600366	33.37	1	GU03733367	34.43	1
GU03475330	33.40	25	GU03602760	33.37	12	GU03733400	34.43	8
GU03475830	33.40	1	GU03603060	33.37	10	GU03733500	34.43	9
GU03475866	33.40	1	GU03603560	33.37	4	GU03736820	33.24	11
GU03475867	33.40	1	GU03603860	33.37	2	GU03736870	33.23	19
GU03475931	33.40	2	GU03604245	33.37	9	GU03738045	33.37	8
GU03476265	33.25	16	GU03604845	33.33	5	GU03738500	33.44	38



Code	Drawing Nr.	Pos.	Code	Drawing Nr.	Pos.	Code	Drawing Nr.	Pos.
GU03738846	33.37	5	GU03995730	33.23	31	GU14086100	34.12	10
GU03740430	33.39	23	GU04211500	34.14	10	GU14090202	34.11	12
GU03740431	33.39	23	GU10032700	34.02	32	GU14090202	34.12	12
GU03740438	33.39	24	GU12001200	34.01	14	GU14090400	34.11	14
GU03740531	33.39	1	GU12003702	34.01	29	GU14090400	34.12	14
GU03740535	33.39	1	GU12003900	34.01	2	GU14152200	34.10	8
GU03740930	33.40	10	GU12006400	33.35	11	GU14201110	34.13	10
GU03741230	33.40	13	GU12006400	34.10	21	GU14204955	34.13	27
GU03742030	33.40	15	GU12007600	34.10	34	GU14210513	34.14	14
GU03744760	33.39	21	GU12011400	34.01	37	GU14210702	34.14	5
GU03746370	33.45	12	GU12011401	34.01	37	GU14212210	34.14	21
GU03747155	33.45	1	GU12011402	34.01	37	GU14213001	34.15	12
GU03747270	33.38	22	GU12011403	34.01	37	GU14213612	34.15	1
GU03747270	33.45	2	GU12011700	34.01	38	GU14213803	34.13	4
GU03748440	33.45	8	GU12011800	34.01	36	GU14215213	34.15	17
GU03749845	33.33	7	GU12012200	34.01	11	GU14215400	34.15	4
GU03751630	33.39	15	GU12018900	34.01	6	GU14217300	34.15	16
GU03751630	33.40	3	GU12021700	34.03	13	GU14217410	34.15	2
GU03751631	33.39	14	GU12021800	34.03	12	GU14217901	33.36	3
GU03751631	33.40	7	GU12022600	33.18	6	GU14217901	34.07	11
GU03753170	33.40	28	GU12022600	34.02	15	GU14217901	34.13	6
GU03753170	33.45	10	GU12022600	34.13	23	GU14217901	34.41	15
GU03758467	33.40	16	GU12031800	34.02	33	GU14218011	34.15	10
GU03758468	33.40	16	GU12038100	34.02	14	GU14218401	34.14	7
GU03759150	33.22	14	GU12067701	34.03	21	GU14219310	34.15	14
GU03760076	33.38	2	GU12082300	34.12	4	GU14219401	34.14	13
GU03760077	33.38	16	GU12082800	34.12	5	GU14230501	34.15	26
GU03760465	33.38	4	GU12082901	34.12	2	GU14231201	34.15	27
GU03761570	33.38	1	GU12087001	34.11	9	GU14232400	34.15	25
GU03761970	33.38	15	GU12087001	34.12	9	GU14232512	34.15	9
GU03762070	33.38	14	GU12154200	34.10	25	GU14234300	34.15	23
GU03762370	33.38	10	GU12154200	34.13	18	GU14234600	34.04	4
GU03762470	33.38	1	GU12211700	34.14	12	GU14234600	34.15	24
GU03762550	33.38	5	GU12327700	33.17	7	GU14235500	34.15	21
GU03762870	33.38	37	GU12351100	33.18	11	GU14237800	34.13	14
GU03766265	33.38	26	GU12355202	33.18	18	GU14335303	33.32	15
GU03766570	33.38	32	GU12355203	33.18	18	GU14433400	34.04	10
GU03767270	33.38	9	GU12356300	33.18	30	GU14439800	33.39	9
GU03769465	33.37	23	GU12616101	33.31	13	GU14516700	33.29	4
GU03769865	33.37	24	GU12616101	33.32	6	GU14517000	33.29	5
GU03781150	33.38	30	GU12616102	33.31	13	GU14609650	33.34	15
GU03785470	33.45	35	GU12616102	33.32	6	GU14609650	33.45	25
GU03900071	33.19	10	GU12616103	33.31	13	GU14615901	33.09	6
GU03900072	33.19	10	GU12616103	33.32	6	GU14615901	33.18	4
GU03909960	33.19	5	GU12717600	34.10	22	GU14615901	33.31	18
GU03917570	33.23	21	GU13021900	34.02	17	GU14615901	33.32	2
GU03917843	33.23	2	GU13036801	34.02	3	GU14615901	33.36	6
GU03917854	33.23	2	GU13037200	34.02	8	GU14615901	33.45	33
GU03917943	33.23	3	GU13084100	34.12	1	GU14615901	34.03	23
GU03917954	33.23	3	GU13148300	34.10	2	GU14615901	34.04	19
GU03921565	33.23	30	GU14003600	34.01	24	GU14634051	33.32	4
GU03921566	33.23	18	GU14011900	34.01	10	GU14717600	33.44	13
GU03921567	33.23	30	GU14011901	34.01	10	GU14781570	33.40	29
GU03921568	33.23	18	GU14018400	34.02	24	GU14781670	33.39	22
GU03922066	33.25	18	GU14020865	34.03	10	GU14781870	33.40	30
GU03922067	33.25	21	GU14023760	34.02	38	GU17067900	34.03	22
GU03922165	33.25	34	GU14034865	34.02	22	GU17335950	33.32	16
GU03922166	33.25	35	GU14036860	34.02	4	GU17350400	33.18	23
GU03922167	33.25	36	GU14037300	34.02	9	GU17350700	33.18	24
GU03922168	33.25	37	GU14072001	34.04	12	GU17355400	33.18	25
GU03922230	33.27	5	GU14085700	34.11	6	GU17355402	33.18	25
GU03941065	34.02	37	GU14085700	34.12	6	GU17355404	33.18	25
GU03945455	33.25	32	GU14085900	34.11	7	GU17355406	33.18	25
GU03991067	34.01	35	GU14085900	34.12	7	GU17355408	33.18	25
GU03991068	34.01	35	GU14086000	34.11	8	GU17355410	33.18	25
GU03991571	34.13	20	GU14086000	34.12	8	GU17355412	33.18	25
GU03991572	34.13	20	GU14086100	34.11	10	GU17444250	33.21	19



Code	Drawing Nr.	Pos.	Code	Drawing Nr.	Pos.	Code	Drawing Nr.	Pos.
GU17633550	33.32	24	GU28742558	33.45	22	GU30477200	33.45	17
GU17656850	33.36	17	GU28742559	33.44	4	GU30513401	33.29	2
GU17659650	33.34	17	GU28742560	33.45	22	GU30516500	33.29	3
GU17768750	34.10	17	GU28742561	33.45	22	GU30530510	34.42	3
GU17999550	34.01	34	GU28742562	33.45	22	GU30530511	34.42	4
GU18001150	34.01	20	GU29104985	33.24	4	GU30530512	34.42	9
GU18144350	34.10	19	GU29106660	33.24	9	GU30577800	33.28	11
GU18211050	34.14	15	GU29106860	33.05	8	GU30601060	33.37	18
GU18211051	34.14	15	GU29108550	33.24	3	GU30602500	33.37	20
GU18211052	34.14	15	GU29115860	33.08	15	GU30611460	33.32	10
GU18211054	34.14	15	GU29116960	33.08	14	GU30631160	33.32	5
GU18258101	33.16	13	GU29217960	34.41	7	GU30631430	33.32	7
GU18352400	33.18	15	GU29418360	33.19	34	GU30658760	33.34	16
GU18355100	33.18	17	GU29530562	34.07	4	GU30665860	33.36	12
GU18432760	33.22	2	GU29615260	33.31	4	GU30666060	33.36	10
GU18548000	33.17	9	GU29711460	34.41	5	GU30666760	33.36	4
GU19007700	34.01	23	GU29711960	34.41	11	GU30666960	33.36	1
GU19007700	34.41	16	GU29722760	33.44	20	GU30678160	33.36	22
GU19149800	33.33	18	GU29729461	33.44	34	GU30714201	34.41	3
GU19149800	33.34	3	GU30003800	34.10	35	GU30716500	33.44	21
GU19149800	33.35	5	GU30004910	34.01	31	GU30717061	33.44	15
GU19207220	34.13	19	GU30022060	34.02	20	GU30728230	33.44	29
GU19355320	33.18	19	GU30022260	34.02	2	GU30729330	33.44	18
GU19355321	33.18	19	GU30057810	34.04	17	GU30730711	34.42	1
GU19355322	33.18	19	GU30060660	34.03	4	GU30732200	33.44	31
GU19355323	33.18	19	GU30060760	34.03	5	GU30732400	33.44	32
GU19355324	33.18	19	GU30060960	34.03	6	GU30732560	33.45	21
GU19355325	33.18	19	GU30061060	34.03	7	GU30735500	33.23	20
GU19355326	33.18	19	GU30061241	34.03	8	GU30735500	33.38	17
GU19355327	33.18	19	GU30081810	34.14	3	GU30749760	33.45	3
GU19355328	33.18	19	GU30109330	33.09	4	GU30759600	33.44	24
GU19355329	33.18	19	GU30113460	33.08	3	GU30759600	33.45	28
GU19357660	33.18	20	GU30113600	33.08	2	GU30922260	33.45	6
GU19705900	33.19	28	GU30114060	33.08	1	GU30944300	33.23	17
GU23440210	33.21	35	GU30114470	34.07	5	GU30970200	33.19	3
GU23440710	33.21	6	GU30114560	33.08	9	GU30999060	34.01	33
GU23441210	33.21	10	GU30114660	33.08	8	GU31003766	33.18	31
GU23441310	33.21	36	GU30115070	34.07	8	GU31003766	34.13	34
GU23441810	33.21	8	GU30115071	34.07	9	GU31103565	33.23	14
GU23442210	33.21	27	GU30115220	33.24	12	GU31613383	33.31	7
GU23443210	33.21	9	GU30146400	34.10	1	GU31659260	33.35	3
GU23943510	33.16	4	GU30147700	34.10	4	GU31745865	33.40	26
GU25656100	33.33	12	GU30150900	34.10	14	GU31753765	33.39	17
GU25656100	33.34	19	GU30153000	34.10	11	GU31753765	33.40	9
GU25656100	33.35	9	GU30158701	34.10	13	GU32727010	33.09	25
GU25656100	33.36	16	GU30158800	34.10	18	GU37037405	34.02	11
GU25656102	34.10	26	GU30159000	34.10	20	GU37037605	34.02	12
GU27135215	33.37	13	GU30214225	34.15	18	GU37038005	34.02	13
GU27530505	33.30	5	GU30230725	34.15	19	GU37064106	34.03	18
GU27530594	33.37	3	GU30231025	34.15	8	GU37065405	34.03	19
GU27530595	33.37	7	GU30231525	34.14	22	GU37712306	34.41	9
GU27604315	33.37	19	GU30252060	33.16	15	GU37712405	34.41	1
GU27663815	33.37	22	GU30252360	33.16	16	GU39103400	33.19	14
GU28058060	34.04	16	GU30256960	33.16	14	GU39103400	33.22	20
GU28115560	34.07	17	GU30258160	33.16	10	GU39103500	33.19	16
GU28153960	34.10	36	GU30335260	33.32	14	GU39103500	33.22	22
GU28157850	34.10	28	GU30350360	33.18	2	GU39663801	33.33	4
GU28157950	33.05	5	GU30354602	33.18	29	GU39922200	33.25	19
GU28157950	33.08	19	GU30356760	33.18	13	GU43083810	34.15	3
GU28157950	34.10	29	GU30424660	34.13	21	GU49609601	33.45	25
GU28217350	34.15	29	GU30425260	33.20	9	GU55235000	34.15	22
GU28234700	34.13	30	GU30461360	33.19	21	GU55235001	34.15	22
GU28238261	34.15	33	GU30462060	33.19	25	GU55235002	34.15	22
GU28576590	33.45	5	GU30462160	33.19	31	GU55235003	34.15	22
GU28576591	34.41	14	GU30463260	33.19	33	GU61108500	33.24	8
GU28707050	33.45	27	GU30466860	33.19	27	GU61108500	33.36	13
GU28742558	33.44	4	GU30477101	33.45	16	GU63657000	33.36	20

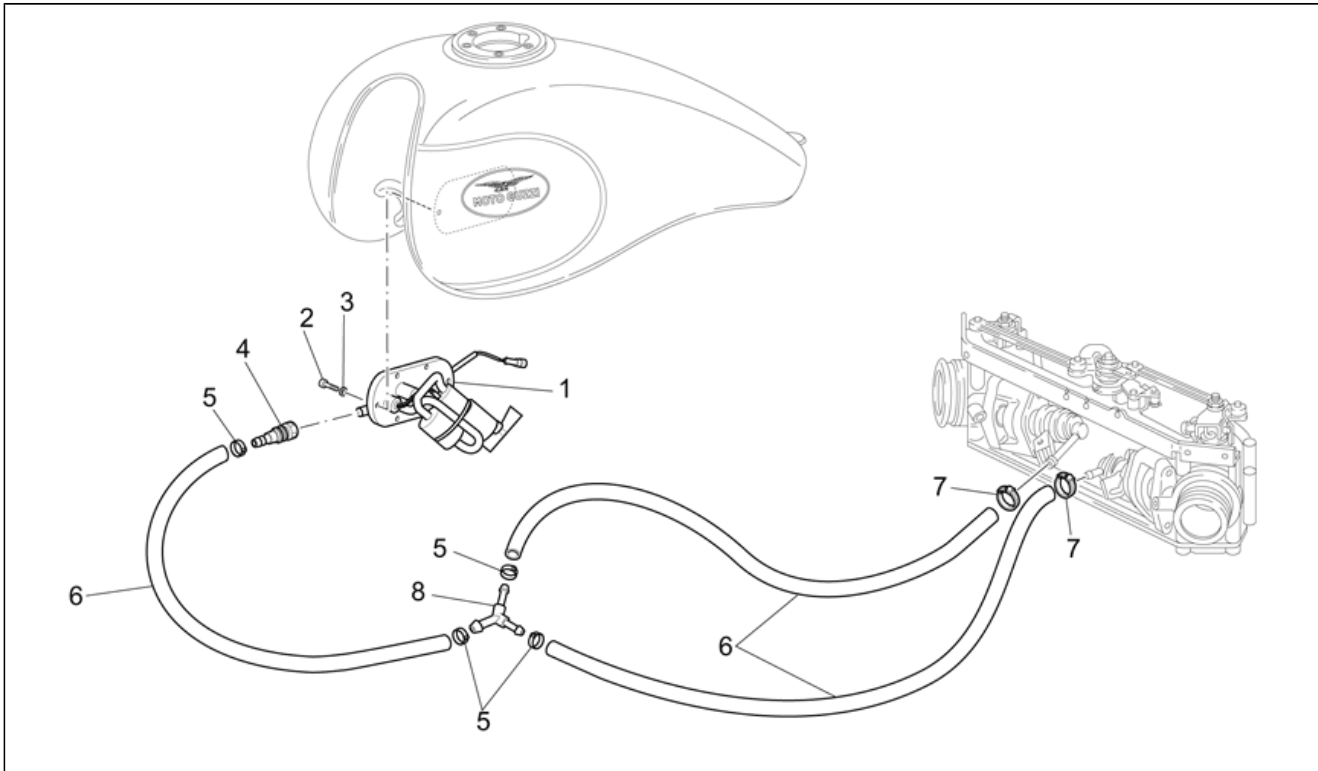


Code	Drawing Nr.	Pos.	Code	Drawing Nr.	Pos.	Code	Drawing Nr.	Pos.
GU65663500	33.36	7	GU92234717	34.13	8	GU92787006	34.07	16
GU66468115	33.19	20	GU92249213	33.17	8	GU92787008	33.09	7
GU89000511	33.23	1	GU92249225	33.29	6	GU92787008	33.18	5
GU89000512	33.23	1	GU92249227	33.18	14	GU92787008	33.27	9
GU89000513	33.24	1	GU92251022	34.15	7	GU92787008	34.01	5
GU89000514	33.24	1	GU92251030	34.14	20	GU92787205	34.43	5
GU90118152	34.02	31	GU92251030	34.15	30	GU93110060	33.40	21
GU90271020	33.17	13	GU92252210	34.10	3	GU93180080	33.19	30
GU90271055	33.32	27	GU92254340	33.18	12	GU93180105	33.17	5
GU90272047	33.31	15	GU92256218	34.13	3	GU93180111	33.31	11
GU90272047	33.32	23	GU92258525	34.14	16	GU93180111	33.32	28
GU90351038	34.03	9	GU92259017	34.15	6	GU93180220	34.13	22
GU90353016	34.02	7	GU92295702	34.15	15	GU93180245	33.18	32
GU90402840	34.01	19	GU92296750	34.14	18	GU93180245	33.20	16
GU90403547	34.13	2	GU92602525	34.04	14	GU93180245	34.13	33
GU90403548	34.13	31	GU92603010	34.02	23	GU93180577	34.43	4
GU90405367	34.01	39	GU92606003	33.44	33	GU93221330	33.44	6
GU90413850	33.18	10	GU92606205	33.22	5	GU93222023	33.38	19
GU90417085	33.18	27	GU92606206	33.19	19	GU93222023	33.44	28
GU90706094	34.02	21	GU92606206	33.44	26	GU93231604	33.40	14
GU90706094	34.03	11	GU92606208	34.01	8	GU93231605	33.28	9
GU90706140	34.13	12	GU92606308	34.10	5	GU93231606	33.20	7
GU90706141	33.44	19	GU92606312	33.19	7	GU93305061	34.07	6
GU90706170	34.11	11	GU92606312	33.21	15	GU93306017	33.05	7
GU90706170	34.12	11	GU92606312	33.22	19	GU93306017	33.08	13
GU90706178	34.01	32	GU92606408	33.34	30	GU93306050	33.17	10
GU90706178	34.41	8	GU92606508	33.22	15	GU93306070	33.17	11
GU90706203	33.18	7	GU92606508	34.11	15	GU93400012	33.38	20
GU90706203	34.02	16	GU92606508	34.12	15	GU93450119	33.39	7
GU90706203	34.13	24	GU92606512	33.20	14	GU93450120	33.38	8
GU90706203	34.14	6	GU92606512	33.21	22	GU93450127	33.39	16
GU90706203	34.15	31	GU92606512	34.13	15	GU93450127	33.40	8
GU90706219	34.15	28	GU92606516	34.41	4	GU93450144	33.38	34
GU90706235	34.14	4	GU92609007	33.36	28	GU93450224	33.40	12
GU90706490	33.32	13	GU92609206	33.16	12	GU93450232	33.39	5
GU90706584	33.17	3	GU92609512	33.16	19	GU93601022	34.14	1
GU90706584	33.18	16	GU92630104	33.34	11	GU94321051	34.14	19
GU90714053	33.08	16	GU92630106	33.25	3	GU94321067	34.13	29
GU90714082	33.08	18	GU92630106	33.37	17	GU94321070	33.37	15
GU90718370	33.09	3	GU92630107	33.27	13	GU94321079	34.10	15
GU91111511	34.02	27	GU92630108	33.34	23	GU94321105	34.11	13
GU91112128	34.03	16	GU92630110	33.22	9	GU94321105	34.12	13
GU91120806	33.28	13	GU92630204	33.44	37	GU94322185	33.16	18
GU91180408	34.07	21	GU92630205	33.34	29	GU94322215	34.02	30
GU91180600	33.23	26	GU92630206	33.36	19	GU95001205	33.27	12
GU91180602	33.21	13	GU92630508	33.31	2	GU95001206	33.40	5
GU91180607	33.45	15	GU92630707	33.16	6	GU95005306	33.20	8
GU91181039	33.30	9	GU92630707	33.22	24	GU95005308	33.18	22
GU91551010	33.25	15	GU92630707	33.29	12	GU95005308	34.01	4
GU91551010	33.26	6	GU92630707	33.45	20	GU95005311	33.09	14
GU91551034	34.07	22	GU92630708	33.21	33	GU95005312	33.27	8
GU91551080	33.45	14	GU92630719	33.32	21	GU95005330	33.29	18
GU91551081	33.23	27	GU92640508	33.09	13	GU95007204	33.28	5
GU91551099	33.27	17	GU92640508	33.19	26	GU95008205	33.34	28
GU91551105	33.39	4	GU92640508	33.21	16	GU95008205	33.40	17
GU91551120	33.34	14	GU92650034	33.40	27	GU95008205	33.44	23
GU91551131	33.23	15	GU92650035	33.40	22	GU95008206	33.25	26
GU91551165	33.25	12	GU92650036	33.27	16	GU95008206	33.45	34
GU91551168	33.38	3	GU92660007	33.38	23	GU95008206	34.01	28
GU91600450	34.41	10	GU92660208	33.08	11	GU95008206	34.07	15
GU91702355	34.04	15	GU92660600	33.40	6	GU95008206	34.10	16
GU92201070	33.18	26	GU92660601	33.25	27	GU95008208	33.09	12
GU92201417	34.13	13	GU92660601	33.44	11	GU95008208	33.19	8
GU92204220	33.31	3	GU92660801	33.19	13	GU95008208	33.20	6
GU92204220	33.32	3	GU92660801	33.23	16	GU95008208	33.21	34
GU92204230	33.17	14	GU92750180	34.04	11	GU95008208	33.26	4
GU92218424	34.13	7	GU92781040	33.28	6	GU95008208	33.38	36



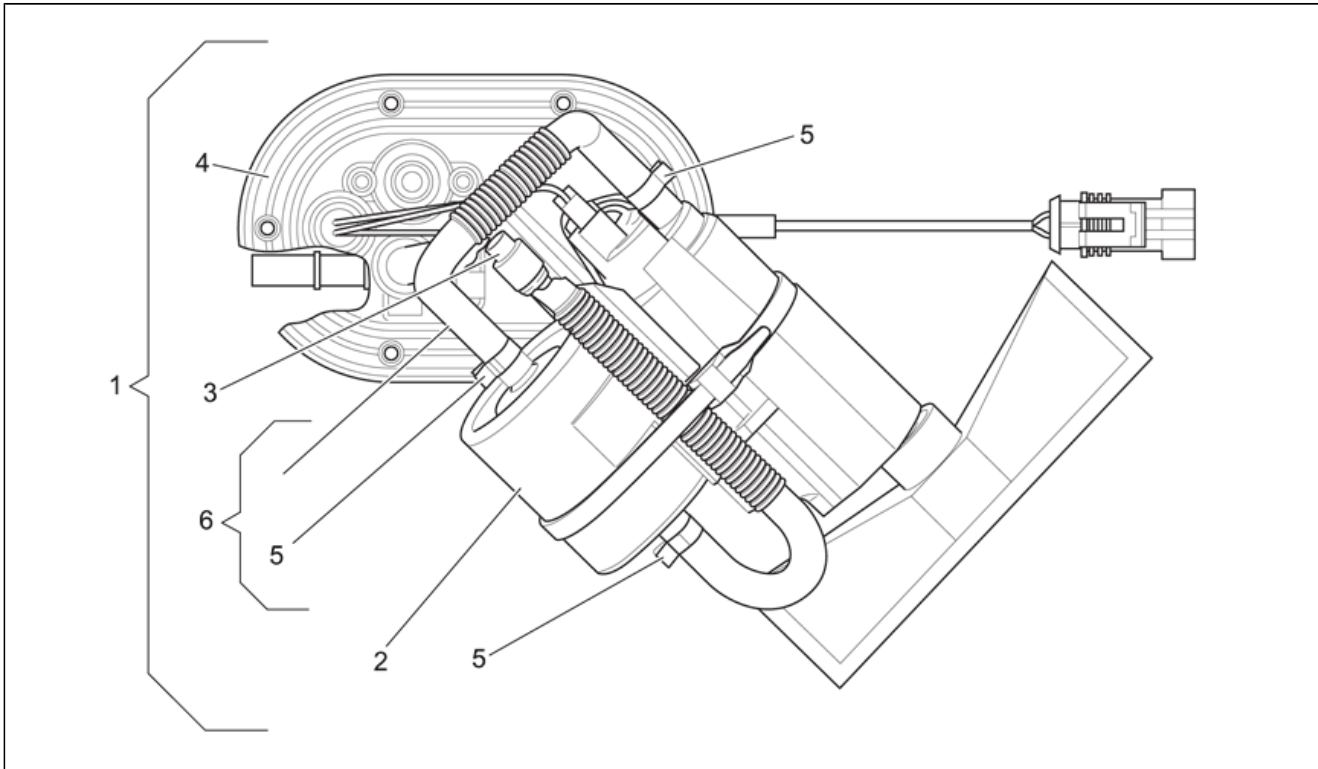
Code	Drawing Nr.	Pos.	Code	Drawing Nr.	Pos.	Code	Drawing Nr.	Pos.
GU95008208	33.39	10	GU95990028	33.36	15	GU98460105	33.17	2
GU95008210	33.17	15	GU95990037	34.10	24	GU98620150	33.40	11
GU95008210	33.22	8	GU95990040	33.35	10	GU98622430	33.30	2
GU95008210	33.44	36	GU96506039	34.07	14	GU98680110	33.44	30
GU95008219	33.32	20	GU96508040	34.02	19	GU98680230	33.08	4
GU95008304	33.44	8	GU96508045	33.18	3	GU98680265	34.41	6
GU95008306	33.22	18	GU96508066	34.01	3	GU98680335	34.01	17
GU95008306	33.29	11	GU96508075	34.01	7	GU98680335	34.13	17
GU95008306	33.36	9	GU97202112	34.07	20	GU98680340	33.30	31
GU95008306	33.38	25	GU97260415	33.38	33	GU98680440	33.22	13
GU95008306	33.44	39	GU98052560	33.30	3	GU98680450	33.28	12
GU95008306	34.41	13	GU98064425	33.39	13	GU98681650	33.21	18
GU95008313	33.20	13	GU98082250	33.34	27	GU98682125	33.44	25
GU95008313	33.22	26	GU98082390	34.01	25	GU98682212	33.44	17
GU95021204	33.33	9	GU98082435	33.09	18	GU98682310	33.36	8
GU95021204	33.44	27	GU98082435	34.04	18	GU98682310	33.44	9
GU95021206	33.38	35	GU98082475	34.42	2	GU98682310	33.45	4
GU95022110	33.20	11	GU98082480	33.31	17	GU98682314	33.39	18
GU95022112	33.19	6	GU98082535	34.03	2	GU98682316	34.13	5
GU95022112	33.21	21	GU98082540	33.17	16	GU98682318	33.25	25
GU95028022	34.14	2	GU98084110	33.44	7	GU98682318	33.36	18
GU95100059	33.08	5	GU98084216	33.05	2	GU98682318	33.45	13
GU95100116	34.07	13	GU98084216	33.22	4	GU98682320	33.40	4
GU95100118	33.45	19	GU98084312	33.32	18	GU98682322	33.16	5
GU95100141	33.25	8	GU98084314	33.21	11	GU98682322	33.36	2
GU95100141	33.44	10	GU98084316	33.22	21	GU98682325	34.01	16
GU95100173	33.36	23	GU98084316	34.02	34	GU98682325	34.01	27
GU95100218	33.28	15	GU98084316	34.10	9	GU98682325	34.07	10
GU95100239	33.23	13	GU98084320	34.04	6	GU98682325	34.13	16
GU95100250	33.21	30	GU98084320	34.10	37	GU98682416	33.22	11
GU95100332	33.33	19	GU98084325	33.29	10	GU98682420	33.19	23
GU95100332	33.34	4	GU98084412	33.36	5	GU98682430	33.37	29
GU95100333	33.33	19	GU98084416	33.19	11	GU98682430	34.10	7
GU95100333	33.34	4	GU98084420	34.03	2	GU98683530	33.33	17
GU95100409	33.16	17	GU98084425	34.01	12	GU98683530	33.34	2
GU95100414	33.21	20	GU98110007	33.09	20	GU98683530	33.35	4
GU95100432	33.29	17	GU98210610	33.09	23	GU98683635	33.19	4
GU95100709	34.01	30	GU98223625	33.25	13	GU98683635	33.21	17
GU95100837	34.04	13	GU98223825	33.27	7	GU98683640	33.21	23
GU95120033	33.44	41	GU98223830	33.25	10	GU98692318	33.38	24
GU95120065	34.02	35	GU98230625	33.27	11	GU98692318	33.39	12
GU95120065	34.04	7	GU98280410	33.34	10	GU98692325	34.02	29
GU95120065	34.10	33	GU98310609	34.07	12	GU98692325	34.41	12
GU95120085	34.10	6	GU98310631	34.01	22	GU98822430	33.32	25
GU95129101	33.05	3	GU98350210	33.08	10	GU98872110	33.38	11
GU95129110	33.36	25	GU98350312	33.08	6	GU98872120	33.38	27
GU95129130	33.21	31	GU98350312	33.19	29	GU98882316	33.19	15
GU95129131	33.36	30	GU98350315	33.25	31	GU98882325	34.13	35
GU95129180	34.02	18	GU98350315	33.34	12			
GU95187006	34.10	10	GU98350320	33.29	13			
GU95401215	33.21	28	GU98350325	33.27	14			
GU95500221	33.36	26	GU98350416	33.19	22			
GU95500222	34.11	5	GU98350430	33.23	12			
GU95500222	34.12	17	GU98350440	33.34	22			
GU95512081	34.01	9	GU98350450	33.21	32			
GU95512081	34.13	9	GU98350522	33.20	10			
GU95522508	33.19	32	GU98358108	33.28	4			
GU95740175	33.36	29	GU98370412	33.33	8			
GU95780267	33.36	24	GU98370515	33.28	10			
GU95780271	34.11	16	GU98370515	33.40	20			
GU95780271	34.12	16	GU98370609	33.38	21			
GU95980214	33.18	8	GU98370614	33.29	19			
GU95980214	34.13	25	GU98370619	33.23	24			
GU95980610	34.13	32	GU98370621	33.20	5			
GU95990028	33.33	11	GU98370622	33.26	5			
GU95990028	33.34	32	GU98370831	33.28	16			
GU95990028	33.35	8	GU98370850	33.26	3			

Assembly	FRAME
Code	33.05
Description	Fuel supply
Revision	1



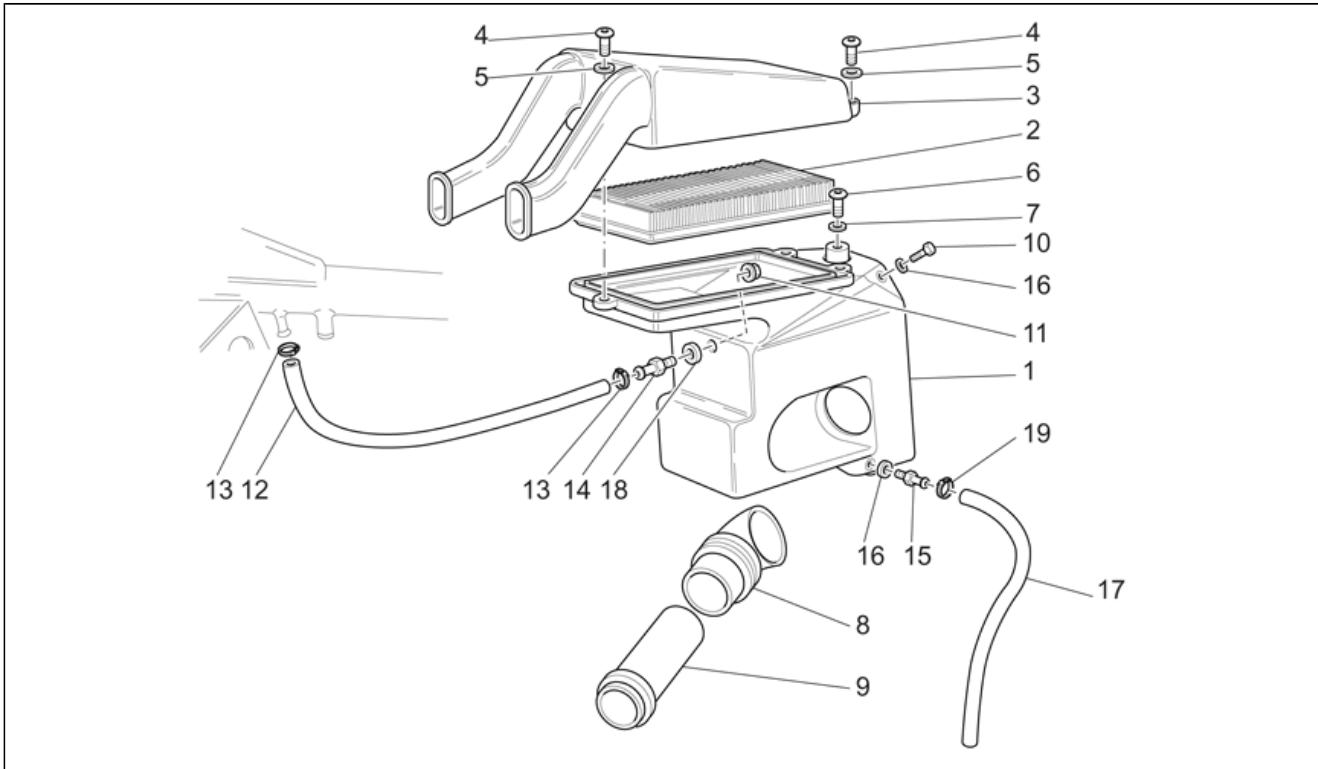
Pos.	Code	Description	Q.ty	Variants
1	GU03107270	Fuel pump cpl.	1	
2	GU98084216	Adjuster screw	6	
3	GU95129101	Washer	6	
4	GU01106692	Union	1	
5	GU28157950	Hose clip 12,5x8	4	
6	GU00823952080	Fuel pipe SAEJ30R9	1	
7	GU93306017	Hose clamp	4	
8	GU29106860	3-way union	1	

Assembly	FRAME
Code	33.06
Description	Internal fuel pump
Revision	1



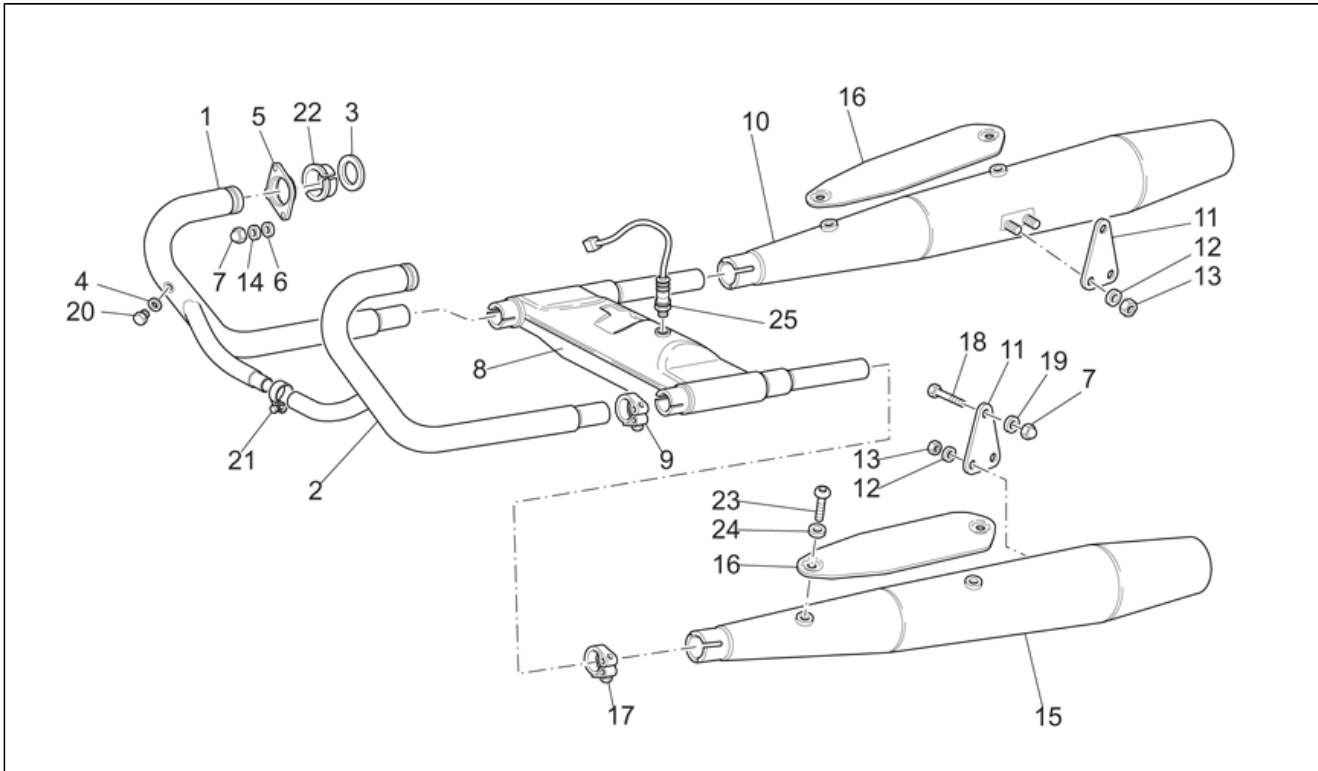
Pos.	Code	Description	Q.ty	Variants
1	GU03107270	Fuel pump cpl.	1	
2	GU01106090	Fuel filter	1	
3	GU03103070	Thermistor	1	
4	GU01107490	Gasket	1	
5	GU01108490	Hose clamp 11,3	4	
6	GU03106170	Fuel pipe	1	

Assembly	FRAME
Code	33.08
Description	Air box
Revision	1



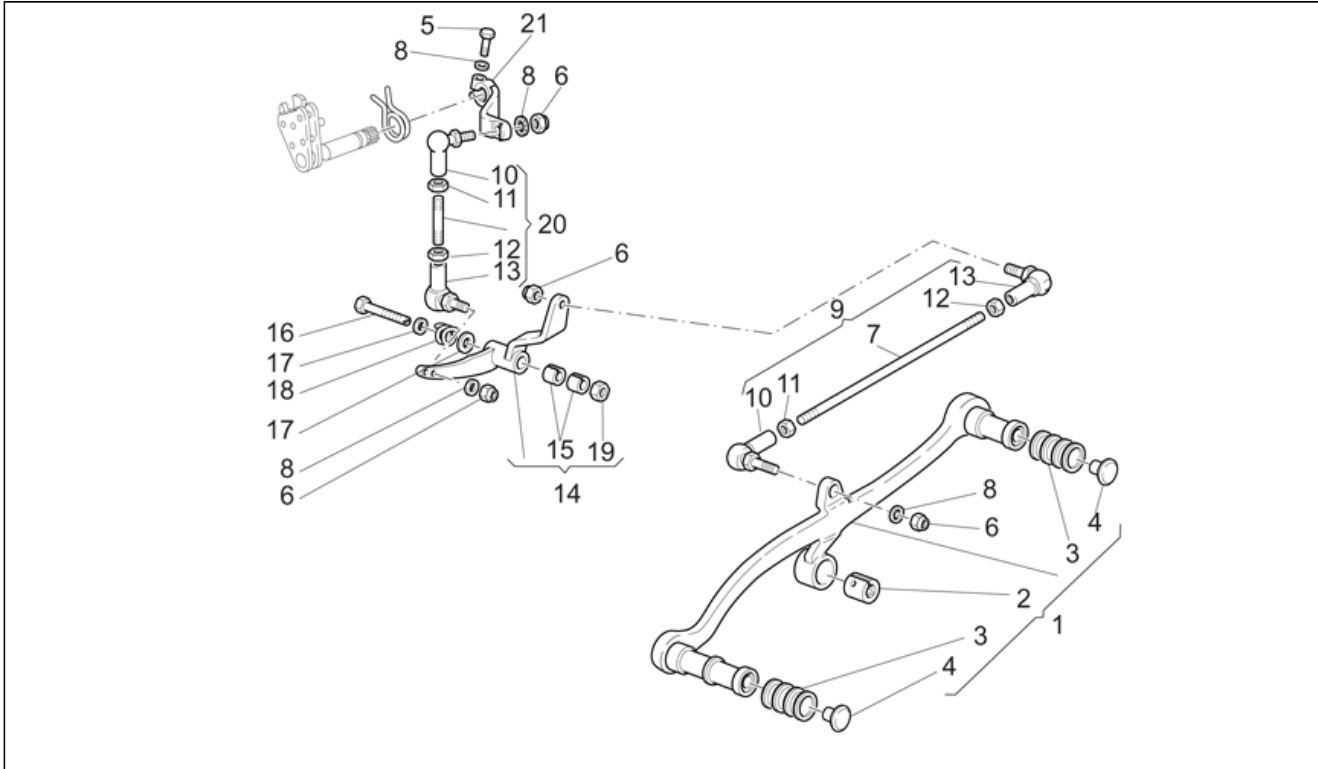
Pos.	Code	Description	Q.ty	Variants
1	GU30114060	Air box	1	
2	GU30113600	Air filter	1	
3	GU30113460	Filter cover	1	
4	GU98680230	Hex socket screw M5X30	3	
5	GU95100059	Washer 5,25x14x1,5	3	
6	GU98350312	Hex socket screw M6x12	1	
7	GU03013800	Washer 6,4x12	2	
8	GU30114660	Union	2	
9	GU30114560	Hand cone-type	2	
10	GU98350210	Hex socket screw M5X10	1	
11	GU92660208	Nut	1	
12	GU00823956080	Rubber pipe 12,5X7,8 5/16"	1	
13	GU93306017	Hose clamp	2	
14	GU29116960	Union	1	
15	GU29115860	Union	1	
16	GU90714053	Gasket	2	
17	GU00823944050	Pipe 5X9	1	
18	GU90714082	Gasket	1	
19	GU28157950	Hose clip 12,5x8	2	

Assembly	FRAME
Code	33.09
Description	Exhaust unit
Revision	1



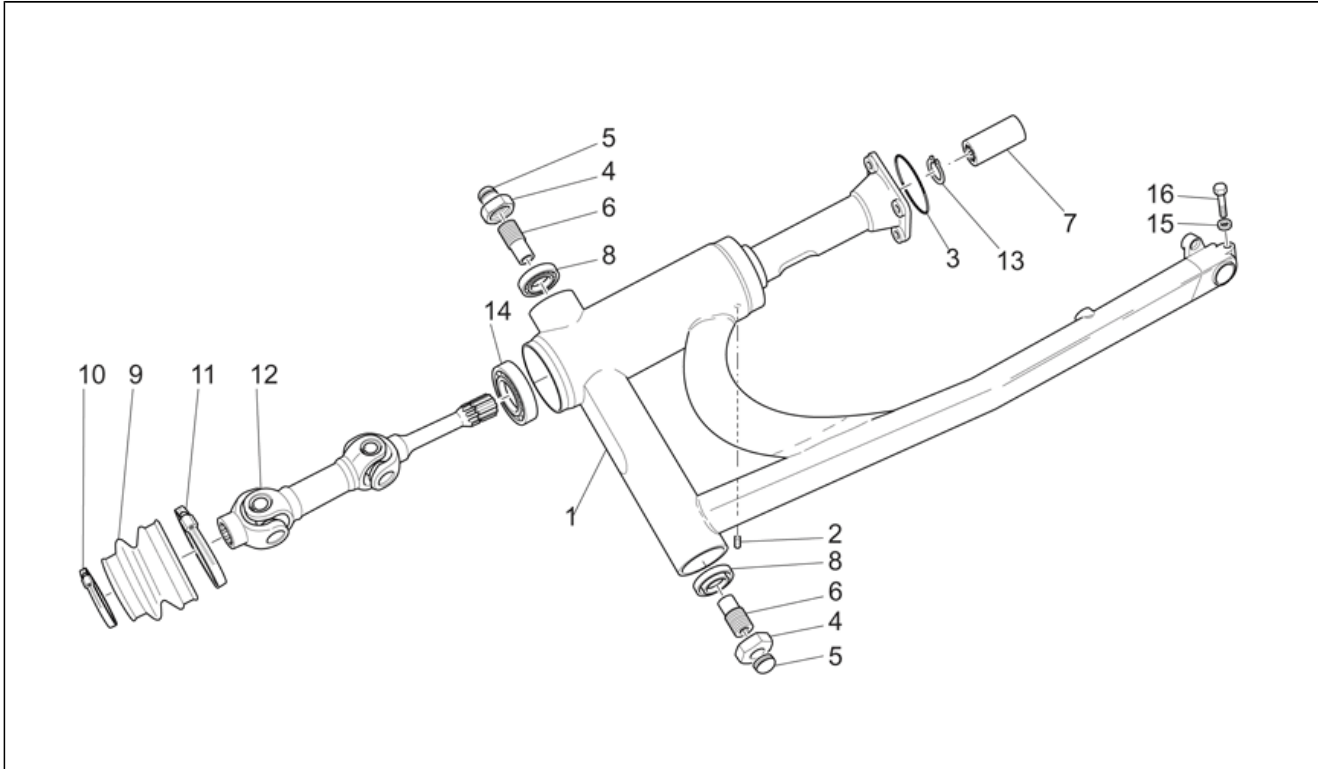
Pos.	Code	Description	Q.ty	Variants
1	GU03120965	RH exhaust pipe	1	
2	GU03120966	LH exhaust pipe	1	
3	GU90718370	Gasket	2	
4	GU30109330	Gasket	2	
5	GU01121030	Flange	2	
6	GU14615901	Washer 8,4X13X0,8	4	
7	GU92787008	Cap nut M8x1,25	6	
8	GU03123900	Expansion chamber	1	Technical Specifications: NO catalytic version[NOCAT]
8	GU03123955	Expansion chamber	1	Technical Specifications: Catalytic version[CAT]
9	GU03123470	Hose clamp	2	
10	GU03123000	RH silencer, chromium plated	1	Technical Specifications: NO catalytic version[NOCAT]
10	GU03123065	RH silencer	1	Technical Specifications: Catalytic version[CAT]
11	GU03128601	RH/LH plate	2	
12	GU95008208	Washer 8,4X15X1,5	8	
13	GU92640508	Nut M8	4	
14	GU95005311	Washer	4	
15	GU03122900	LH silencer, chromium plated	1	Technical Specifications: NO catalytic version[NOCAT]
15	GU03122965	LH silencer	1	Technical Specifications: Catalytic version[CAT]
16	GU03121955	Exhaust pipe heat prot.	2	Technical Specifications: Catalytic version[CAT]
17	GU03123471	Hose clamp	2	
18	GU98082435	Hex screw M8x35	2	
19	GU03270300	Washer 8,4x15	2	
20	GU98110007	Plug	2	
21	GU03122571	Hose clamp	1	
22	GU03121230	Half-cone	4	
23	GU98210610	Screw	4	Technical Specifications: Catalytic version[CAT]
24	AP8120870	Insulating washer	4	Technical Specifications: Catalytic version[CAT]
25	GU32727010	Lamda sensor	1	Technical Specifications: Catalytic version[CAT]

Assembly	FRAME
Code	33.16
Description	Gear lever
Revision	1



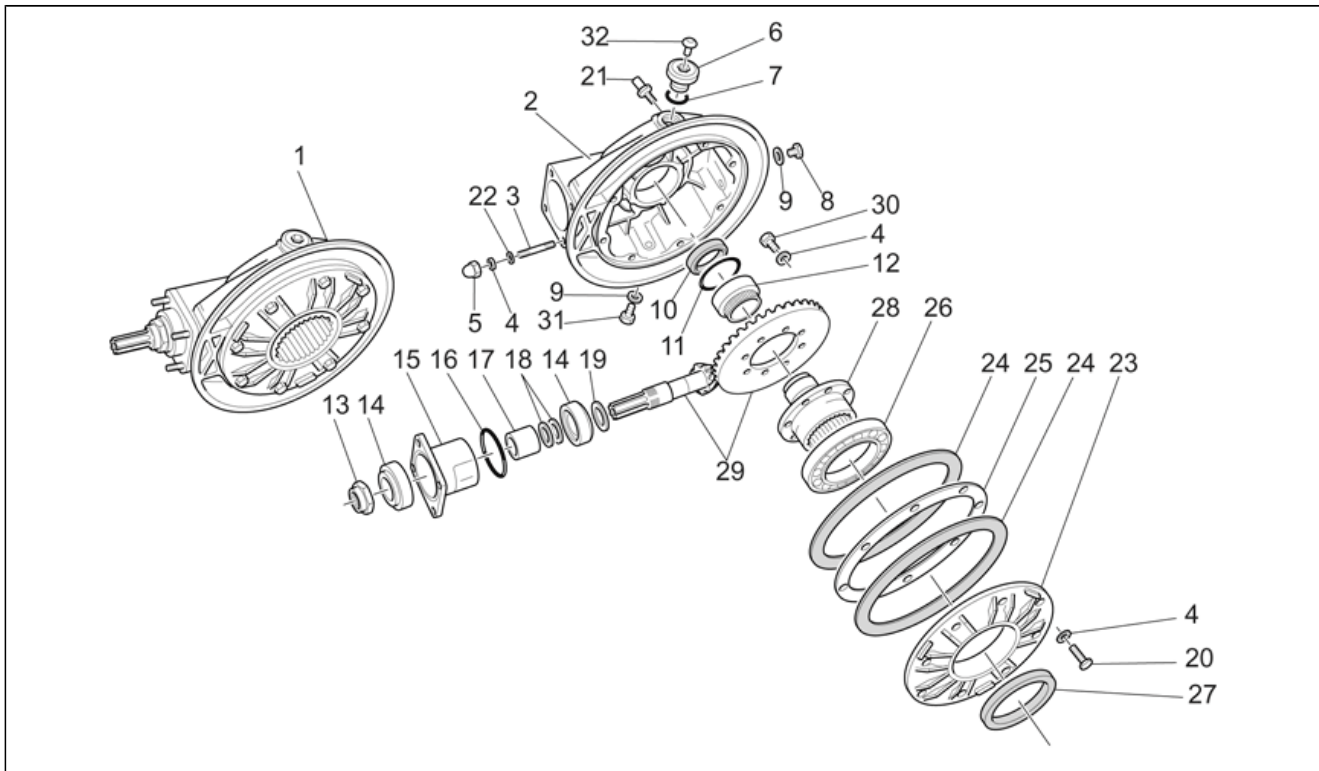
Pos.	Code	Description	Q.ty	Variants
1	GU03250860	Complete gearchange lever	1	
2	GU03678160	Bush	1	
3	GU03251045	Rubber spacer	3	
4	GU23943510	Plug	2	
5	GU98682322	Hex socket screw M6x22	1	
6	GU92630707	Nut	4	
7	GU03257731	Tie rod	1	
8	GU03013800	Washer 6,4x12	5	
9	GU03257633	Change gear tie rod compl.	1	
10	GU30258160	Ball joint	2	
11	GU03256800	Nut M6	2	
12	GU92609206	Nut M6	2	
13	GU18258101	Ball joint	2	
14	GU30256960	Lever	1	
15	GU30252060	Bush	2	
16	GU30252360	Screw	1	
17	GU95100409	Washer	2	
18	GU94322185	Spring	1	
19	GU92609512	Nut	1	
20	GU03257801	Change gear tie rod compl.	1	
21	GU03258250	Lever	1	

Assembly	FRAME
Code	33.17
Description	Transmission complete I
Revision	1



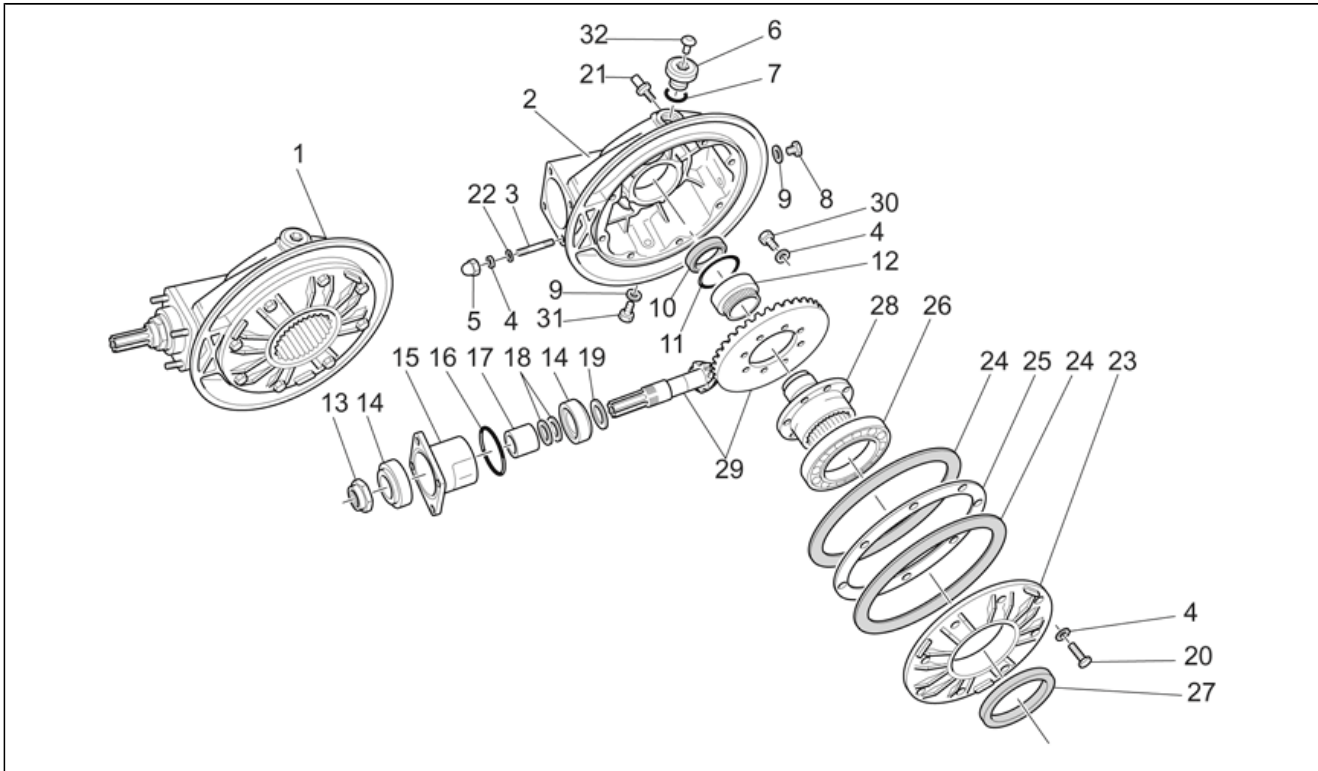
Pos.	Code	Description	Q.ty	Variants
1	GU03540255	Swing arm	1	
2	GU98460105	Dowel M5x6	1	
3	GU90706584	Gasket 58,42x2,62	1	
4	GU03547800	Cap nut	2	
5	GU93180105	Plug	2	
6	GU03547060	Pin	2	
7	GU12327700	Hose	1	
8	GU92249213	Tap roller bearing 17x4	2	
9	GU18548000	Protection collar	1	
10	GU93306050	Clamp 50x90x9	1	
11	GU93306070	Clamp 70x90x9	1	
12	GU03328050	Double joint	1	
13	GU90271020	Snap ring	2	
14	GU92204230	Ball bearing 30x62x16	1	
15	GU95008210	Washer 10,2X18X2	1	
16	GU98082540	Hex screw M10x40	1	

Assembly	FRAME
Code	33.18
Description	Transmission complete II
Revision	1



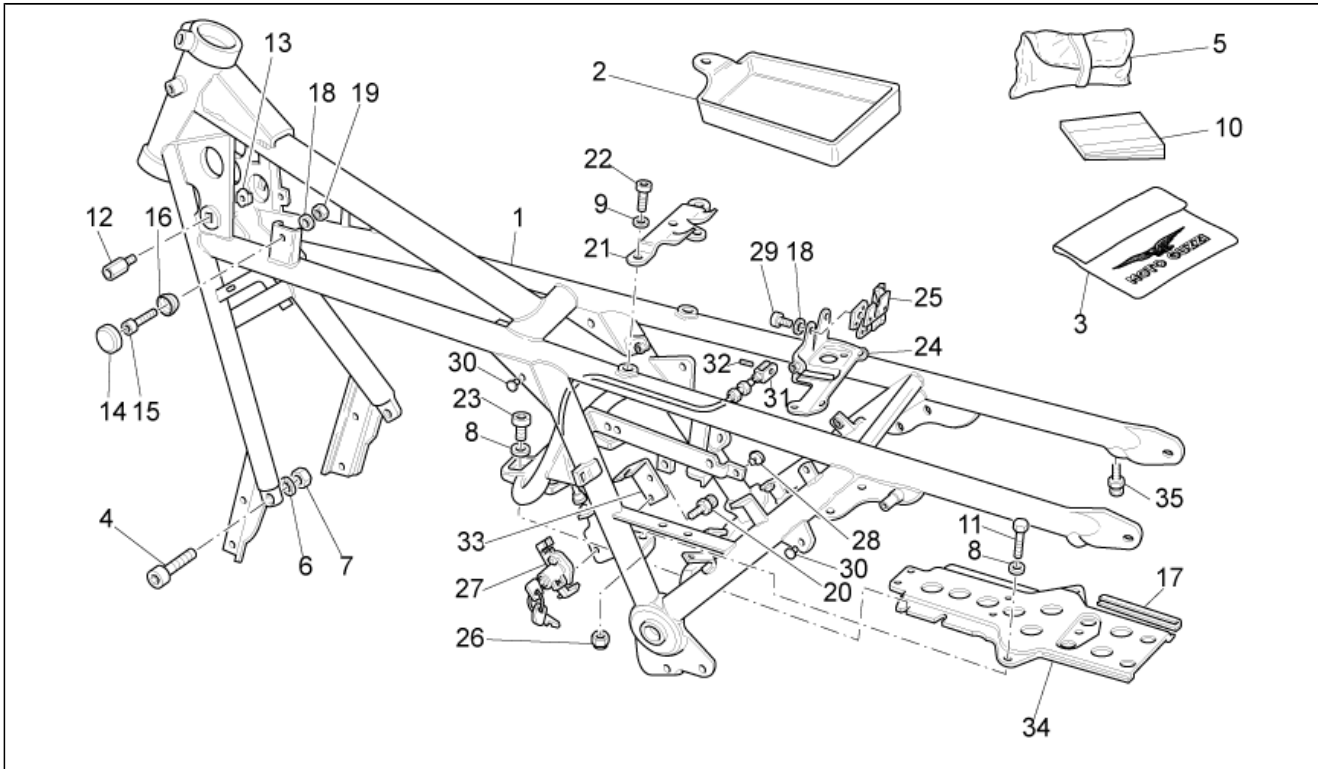
Pos.	Code	Description	Q.ty	Variants
1	GU03350250	Transmission complete	1	
2	GU30350360	Transmission housing	1	
3	GU96508045	Stud bolt 8x46	4	
4	GU14615901	Washer 8,4X13X0,8	20	
5	GU92787008	Cap nut M8x1,25	4	
6	GU12022600	Oil plug	1	
7	GU90706203	O-ring 20,24X2,62	1	
8	GU95980214	Oil level plug	1	
9	GU01528930	Gasket 10x18x1,5	2	
10	GU90413850	Gasket ring 38X50X7	1	
11	GU12351100	Gasket ring	1	
12	GU92254340	Roller bearing 40x55x17	1	
13	GU30356760	Nut	1	
14	GU92249227	Tap.roller bearing 25x5	2	
15	GU18352400	Flange	1	
16	GU90706584	Gasket 58,42x2,62	1	
17	GU18355100	Spacer	1	
18	GU12355202	Shim 0,1 mm	2	
18	GU12355203	Shim 0,15 mm	2	
19	GU19355320	Spacer 1 mm	2	
19	GU19355321	Spacer 1,1 mm	2	
19	GU19355322	Spacer 1,2 mm	2	
19	GU19355323	Spacer 1,3 mm	2	
19	GU19355324	Spacer 1,4 mm	2	
19	GU19355325	Spacer 1,5 mm	2	
19	GU19355326	Spacer 1,6 mm	2	
19	GU19355327	Spacer 1,7 mm	2	
19	GU19355328	Spacer 1,8 mm	2	

Assembly	FRAME
Code	33.18
Description	Transmission complete II
Revision	1



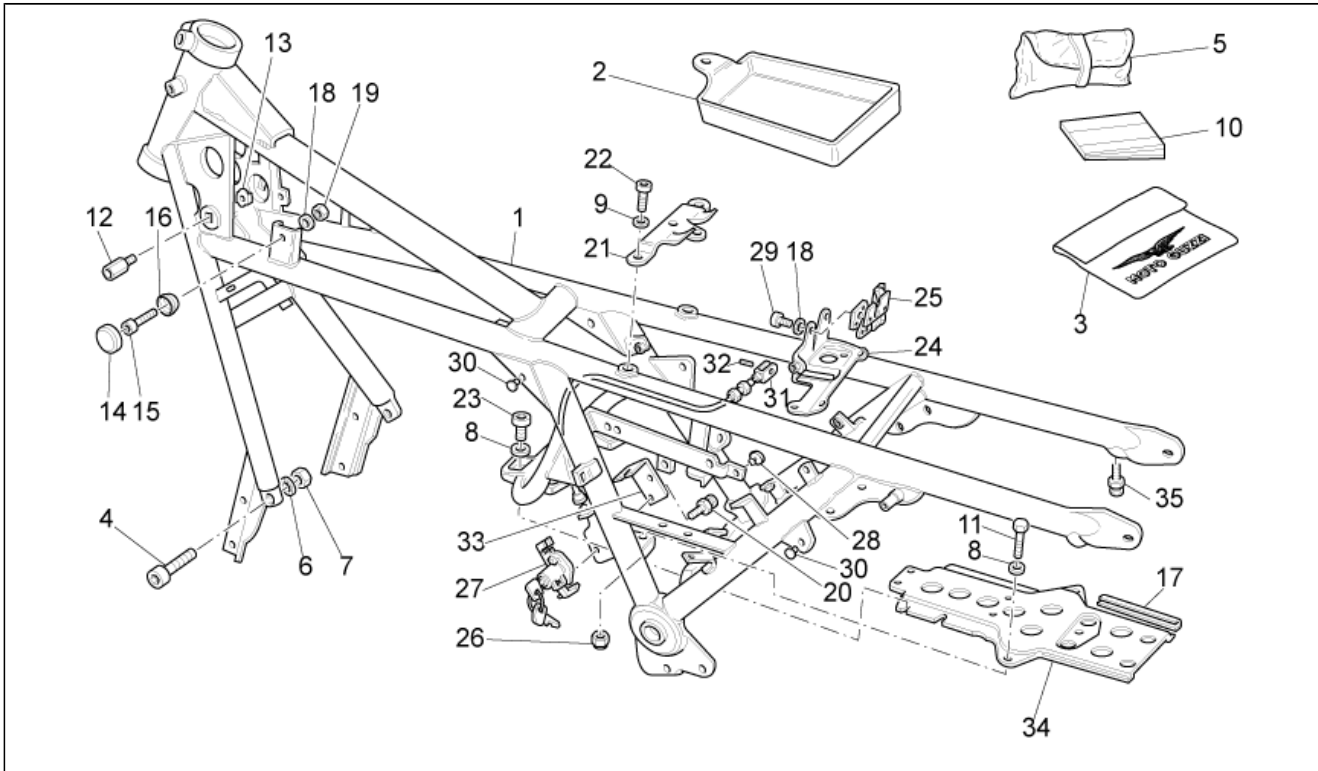
Pos.	Code	Description	Q.ty	Variants
19	GU19355329	Spacer 1,9 mm	2	
20	GU19357660	Screw	8	
21	GU03555250	Rear swing arm pin	1	
22	GU95005308	Washer 8,4x14,57x1,6	4	
23	GU17350400	Flange	1	
24	GU17350700	Gasket	2	
25	GU17355400	Spacer 0,8 mm	1	
25	GU17355402	Spacer 0,9 mm	1	
25	GU17355404	Spacer 1 mm	1	
25	GU17355406	Spacer 1,1 mm	1	
25	GU17355408	Spacer 1,2 mm	1	
25	GU17355410	Spacer 1,3 mm	1	
25	GU17355412	Spacer 1,5 mm	1	
26	GU92201070	Ball bearing 70x110x13	1	
27	GU90417085	Gasket ring 70X85X8	1	
28	GU03351450	Drive flange	1	
29	GU30354602	Bevel gear 8/33	1	
30	GU12356300	Screw	8	
31	GU31003766	Oil unload plug	1	
32	GU93180245	Plug	1	

Assembly	FRAME
Code	33.19
Description	Frame
Revision	1



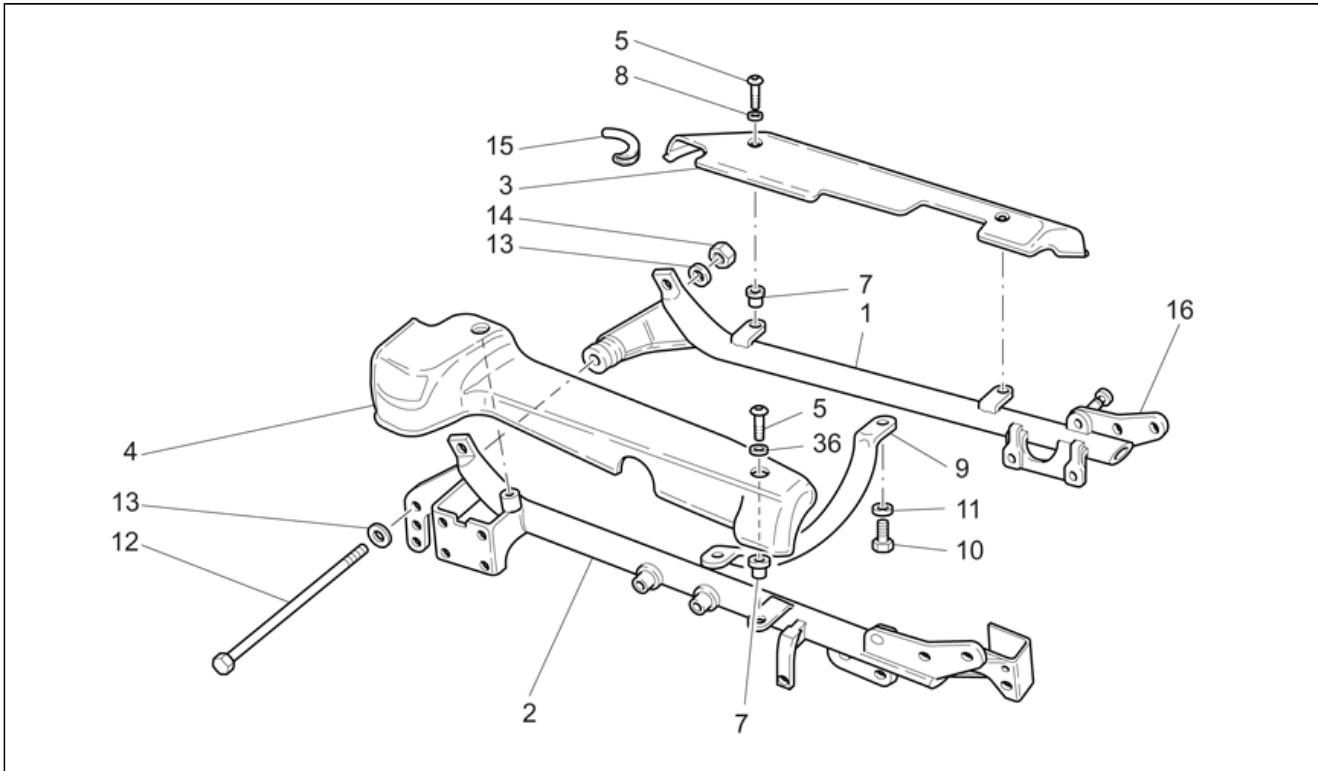
Pos.	Code	Description	Q.ty	Variants
1	GU03400152	Frame	1	
2	GU03479545	Holder	1	
3	GU30970200	Bike cover	1	
4	GU98683635	Screw M12X35	2	
5	GU03909960	Toolkit	1	
6	GU95022112	Notched washer	2	
7	GU92606312	Nut M12x1,25	2	
8	GU95008208	Washer 8,4X15X1,5	7	
9	GU03270300	Washer 8,4x15	2	
10	GU03900071	Operator's handbook I-GB-F-D	1	year:2003[3]
10	GU03900072	Operator's handbook I-GB-F-D	1	year:2004[4]
11	GU98084416	Screw	3	
12	GU03469200	Stud bolt	2	
13	GU92660801	Captive nut	2	
14	GU39103400	Drift	2	
15	GU98882316	Screw	2	
16	GU39103500	Disc	2	
17	GU00823931080	Gasket PVC	1	
18	GU03013800	Washer 6,4x12	4	
19	GU92606206	Nut	2	
20	GU66468115	Shear rivet	2	
21	GU30461360	Plate	1	
22	GU98350416	Hex socket screw	2	
23	GU98682420	Hex socket screw	4	
24	GU03462345	Plate	1	
25	GU30462060	Saddle lock	1	
26	GU92640508	Nut M8	3	
27	GU30466860	Saddle lock	1	

Assembly	FRAME
Code	33.19
Description	Frame
Revision	1



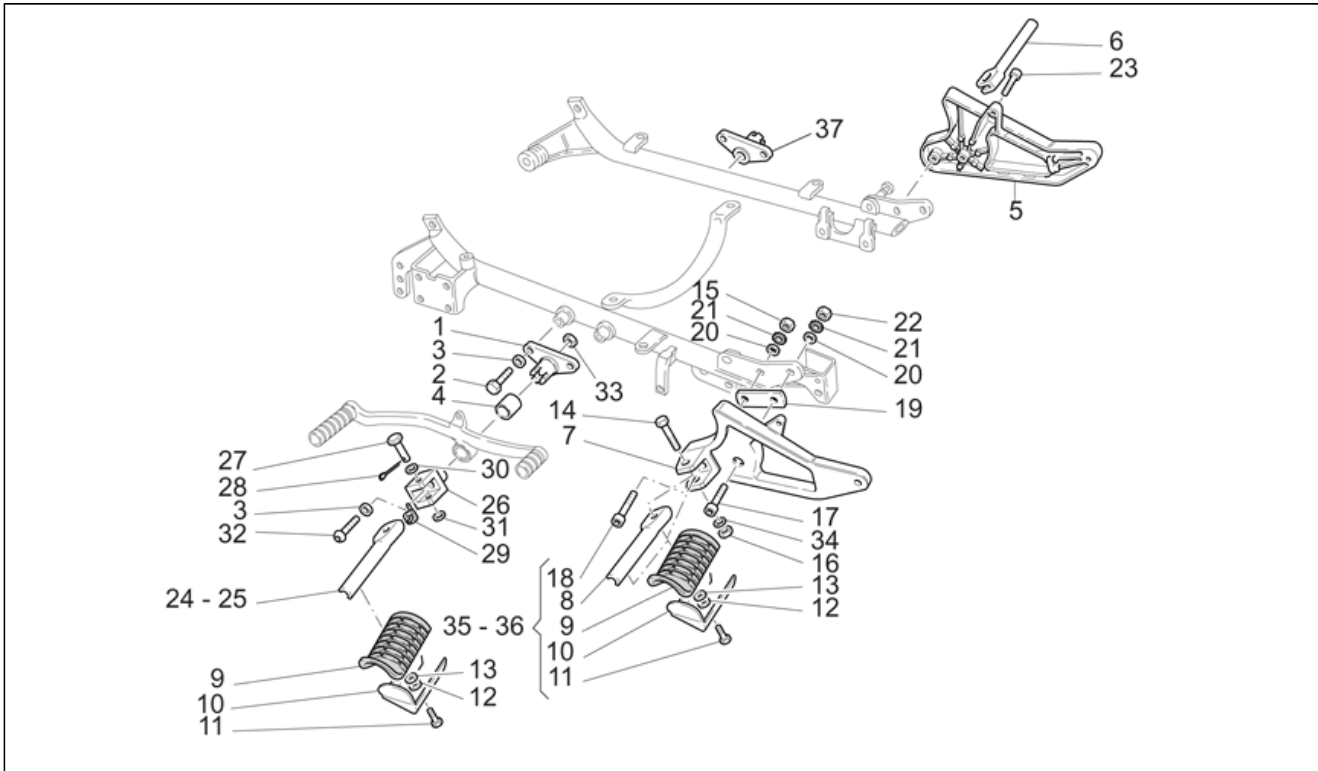
Pos.	Code	Description	Q.ty	Variants
28	GU19705900	Drift	1	
29	GU98350312	Hex socket screw M6x12	2	
30	GU93180080	Plug	6	
31	GU30462160	Saddle release cable	1	
32	GU95522508	Pin	1	
33	GU30463260	Clamp	1	
34	GU29418360	Plate	1	
35	GU03467343	Stud bolt	1	

Assembly	FRAME
Code	33.20
Description	Cradle
Revision	1



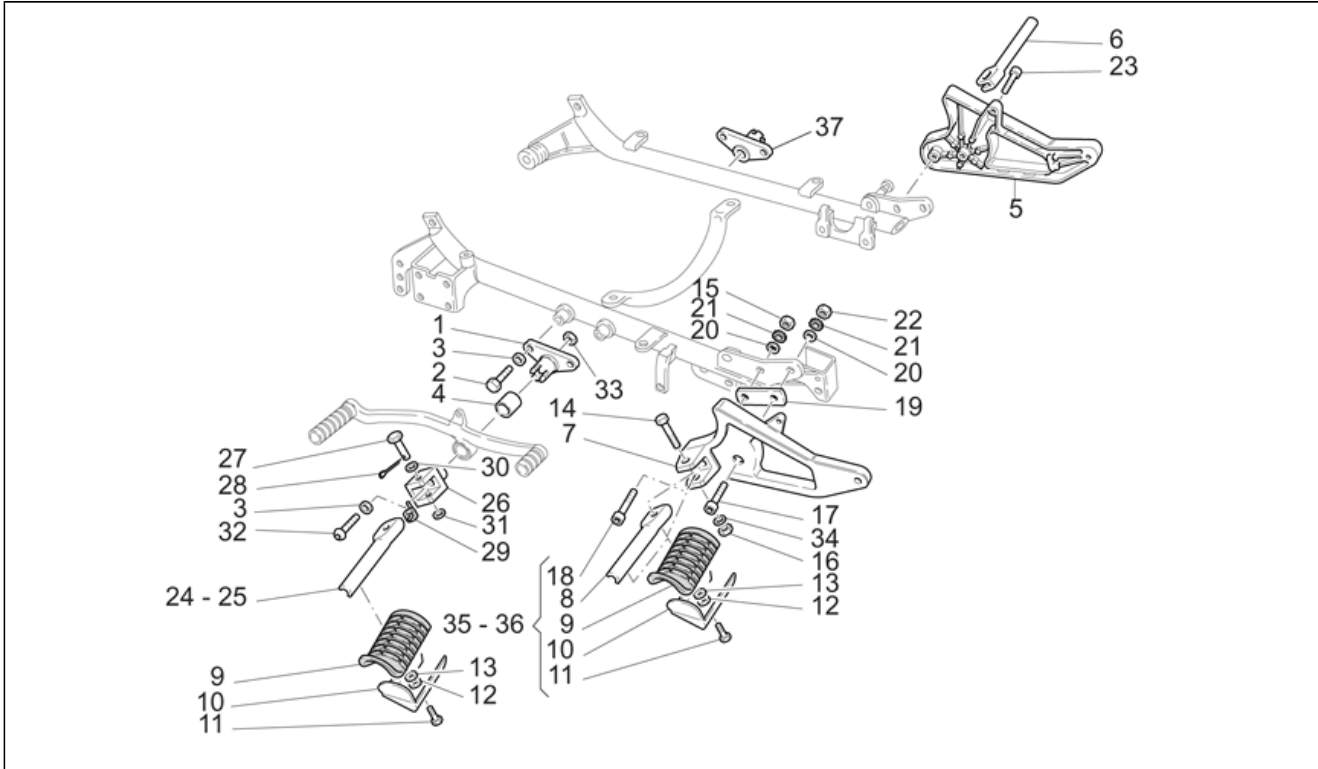
Pos.	Code	Description	Q.ty	Variants
1	GU03420331	RH cradle arm	1	
2	GU03422130	LH cradle arm	1	
3	GU03446965	RH cover chromium grey	1	Technical Specifications: Aluminium version 2003[AL]
3	GU03446967	RH cover chromium grey	1	Technical Specifications: Titanium version 2003[TI]
4	GU03447465	LH cover grey	1	Technical Specifications: Aluminium version 2003[AL]
4	GU03447467	LH cover grey	1	Technical Specifications: Titanium version 2003[TI]
5	GU98370621	Hex socket screw M6x20	4	
6	GU95008208	Washer 8,4X15X1,5	2	
7	GU93231606	Antivibration bush M6	5	
8	GU95005306	Washer 6,4x13x1,5	5	
9	GU30425260	Cradle arms conn.crosspiece	1	
10	GU98350522	Screw	2	
11	GU95022110	Notched washer	2	
12	GU03429500	Pin	1	
13	GU95008313	Washer 13x24x2,5	2	
14	GU92606512	Low nut M12x1,25	1	
15	GU00823931055	Gasket	1	
16	GU93180245	Plug	1	

Assembly	FRAME
Code	33.21
Description	Foot rests
Revision	1



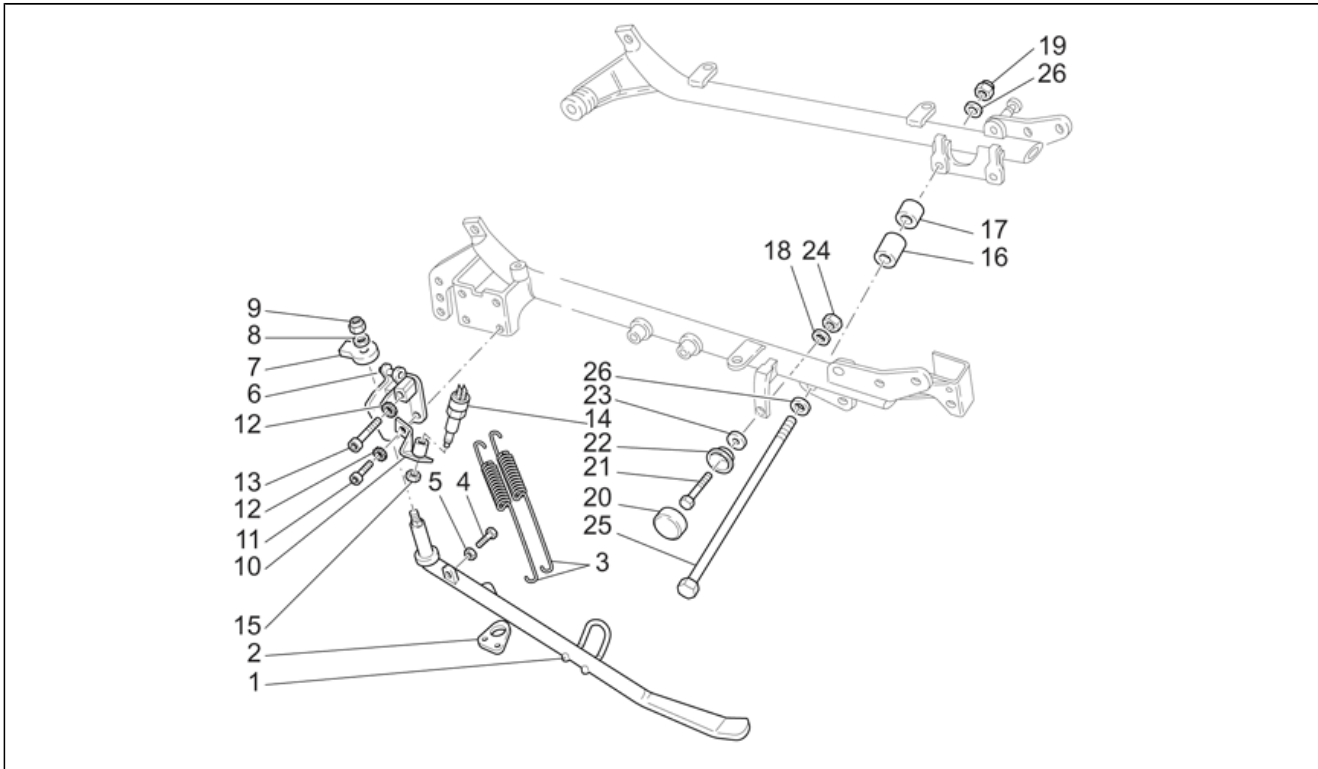
Pos.	Code	Description	Q.ty	Variants
1	GU03443960	LH footrest support	1	
2	GU03611445	Screw w/ flange M8x20	4	
3	GU03270300	Washer 8,4x15	6	
4	GU03444230	Spacer	2	
5	GU03443565	RH Plate grey	1	
6	GU23440710	RH front foot rest pipe	1	
7	GU03446065	LH Plate grey	1	
8	GU23441810	LH front foot rest pipe	1	
9	GU23443210	Rubber pedal	4	
10	GU23441210	Plate	4	
11	GU98084314	Hex screw	4	
12	GU03013800	Washer 6,4x12	4	
13	GU91180602	Spacer	4	
14	GU03442200	Screw	2	
15	GU92606312	Nut M12x1,25	4	
16	GU92640508	Nut M8	2	
17	GU98683635	Screw M12X35	1	
18	GU98681650	Screw	4	
19	GU17444250	Plate	2	
20	GU95100414	Washer	4	
21	GU95022112	Notched washer	4	
22	GU92606512	Low nut M12x1,25	1	
23	GU98683640	Screw M12X40	1	
24	GU03440730	RH front foot rest pipe	1	
25	GU03441830	LH front foot rest pipe	1	
26	GU03443730	Support	2	
27	GU23442210	Pin	2	
28	GU95401215	Split pin	2	

Assembly	FRAME
Code	33.21
Description	Foot rests
Revision	1



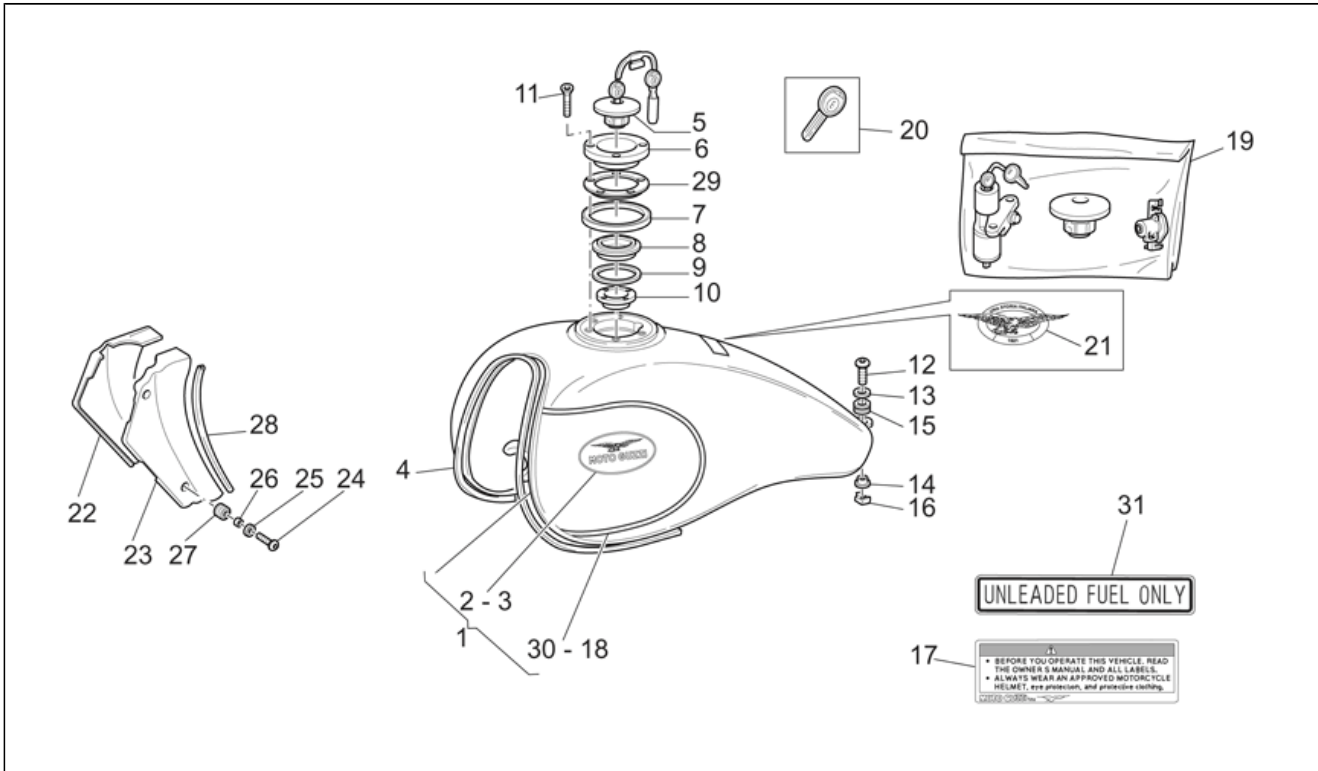
Pos.	Code	Description	Q.ty	Variants
29	GU03441130	Spring	2	
30	GU95100250	Washer 8,5X18X0,5	2	
31	GU95129130	Spring washer	2	
32	GU98350450	Screw	2	
33	GU92630708	Nut	2	
34	GU95008208	Washer 8,4X15X1,5	2	
35	GU23440210	RH footrest	1	
36	GU23441310	LH footrest	1	
37	GU03443961	RH foot rest support	1	

Assembly	FRAME
Code	33.22
Description	Lateral stand
Revision	1



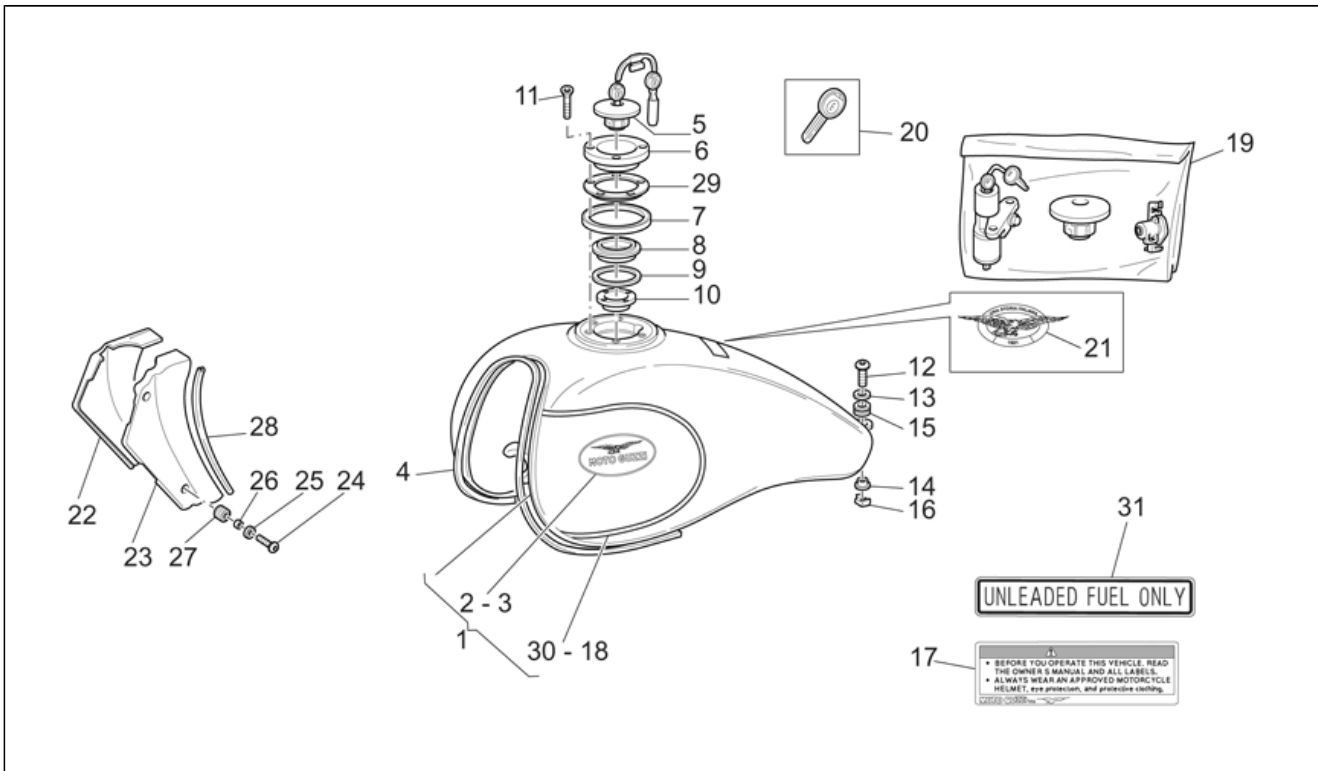
Pos.	Code	Description	Q.ty	Variants
1	GU03432070	Lateral stand	1	
2	GU18432760	Plate	1	
3	GU03434070	Spring	2	
4	GU98084216	Adjuster screw	1	
5	GU92606205	Nut	1	
6	GU03433470	Block	1	
7	GU03432740	Lock	1	
8	GU95008210	Washer 10,2X18X2	1	
9	GU92630110	Nut M10X1,5	1	
10	GU03433850	Support clamp	1	
11	GU98682416	Hex socket screw	3	
12	GU03270300	Washer 8,4x15	5	
13	GU98680440	Hex socket screw M8x40	1	
14	GU03759150	Switch	1	
15	GU92606508	Nut	1	
16	GU03429765	LH spacer	1	
17	GU03429865	RH spacer	1	
18	GU95008306	Washer 6,4x12x1,2	1	
19	GU92606312	Nut M12x1,25	1	
20	GU39103400	Drift	1	
21	GU98084316	Hex screw	1	
22	GU39103500	Disc	1	
23	GU03013800	Washer 6,4x12	1	
24	GU92630707	Nut	1	
25	GU03429600	Pin M12x250	1	
26	GU95008313	Washer 13x24x2,5	2	

Assembly	FRAME
Code	33.23
Description	Fuel tank
Revision	1



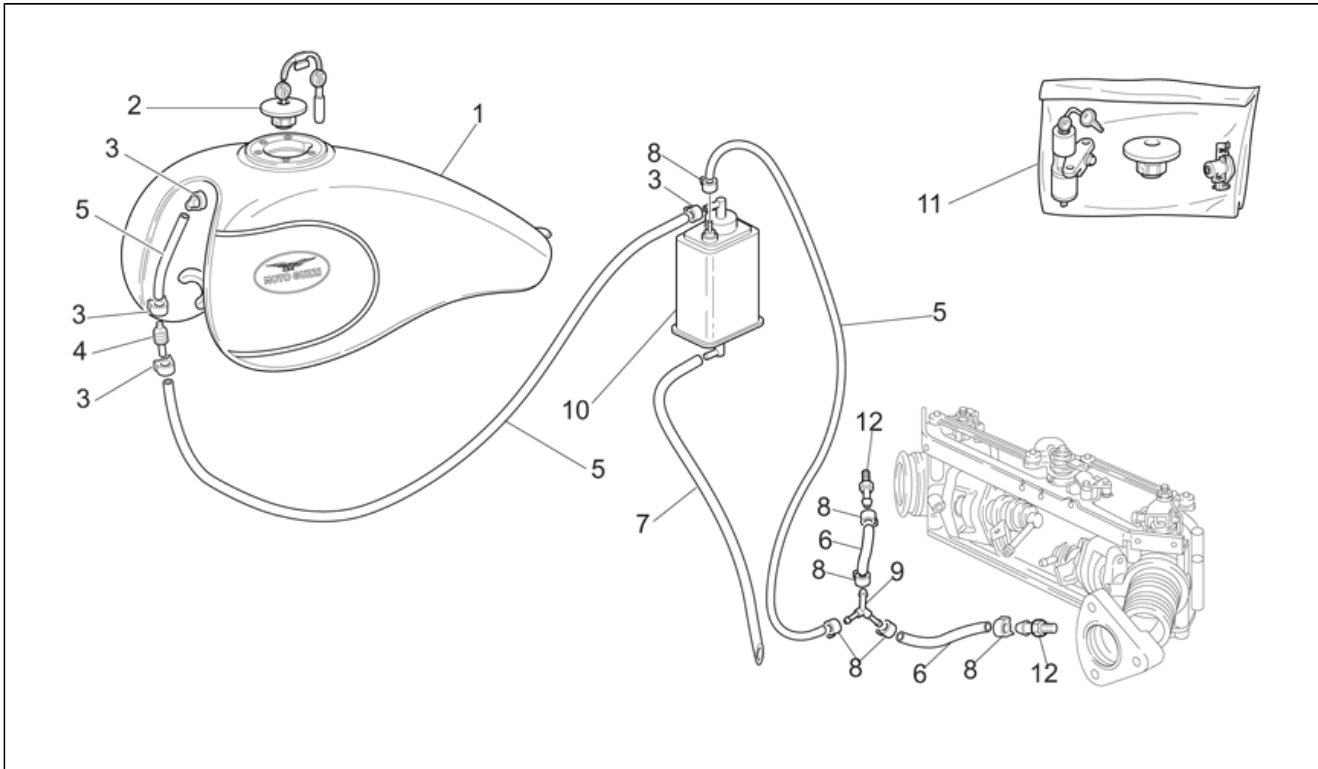
Pos.	Code	Description	Q.ty	Variants
1	GU03100270	Fuel tank blank	1	
1	GU89000511	Fuel tank steel/grey	1	Technical Specifications: Aluminium version 2003[AL]
1	GU89000512	Fuel tank titanium/grey	1	Technical Specifications: Titanium version 2003[TI]
2	GU03917843	RH stic."Moto Guzzi" grey/red	1	Technical Specifications: Aluminium version 2003[AL]
2	GU03917854	Moto Guzzi RH decal	1	Technical Specifications: Titanium version 2003[TI]
3	GU03917943	LH stic."Moto Guzzi" grey/red	1	Technical Specifications: Aluminium version 2003[AL]
3	GU03917954	Moto Guzzi LH decal	1	Technical Specifications: Titanium version 2003[TI]
4	GU03106400	Gasket	1	
5	GU03103970	Tank cap	1	
6	GU03101900	Flange	1	
7	GU03102400	Gasket	1	
8	GU03102200	Plug ring nut	1	
9	GU03101600	Gasket	1	
10	GU03101720	Reduction 38 mm	1	
11	GU03103200	Screw	5	
12	GU98350430	Hex socket screw M8x30	1	
13	GU95100239	Washer	1	
14	GU31103565	Spacer	1	
15	GU91551131	Rubber spacer	1	
16	GU92660801	Captive nut	1	
17	GU30944300	Decal "Attention"	1	
18	GU03921566	Sticker LH gold	1	Technical Specifications: Aluminium version 2003[AL]
18	GU03921568	Sticker LH silver	1	Technical Specifications: Titanium version 2003[TI]
19	GU03736870	Lock hardware kit	1	Country: Australia[AUS], Other country[EU], Japan[J], New Zealand[NZ], Great Britain[UK]
20	GU30735500	Non indented key blank	1	
21	GU03917570	Decal "Italian Story"	1	
22	GU03472460	RH front protect black	1	

Assembly	FRAME
Code	33.23
Description	Fuel tank
Revision	1



Pos.	Code	Description	Q.ty	Variants
23	GU03472960	LH front protect black	1	
24	GU98370619	Hex socket screw	4	
25	GU03462801	Washer	4	
26	GU91180600	Spacer 6,25x8x5	4	
27	GU91551081	Rubber spacer 8x15	4	
28	GU00823931055	Gasket	1	
29	GU03103500	Ring	1	
30	GU03921565	Sticker RH gold	1	Technical Specifications: Aluminium version 2003[AL]
30	GU03921567	Sticker RH silver	1	Technical Specifications: Titanium version 2003[TI]
31	GU03995730	Decal "Unleaded Fuelonly"	1	
32	GU03104370	Tank cap ring and spring kit	1	Country: Australia[AUS], Other country[EU], Japan[J], New Zeland[NZ], Great Britain[UK]

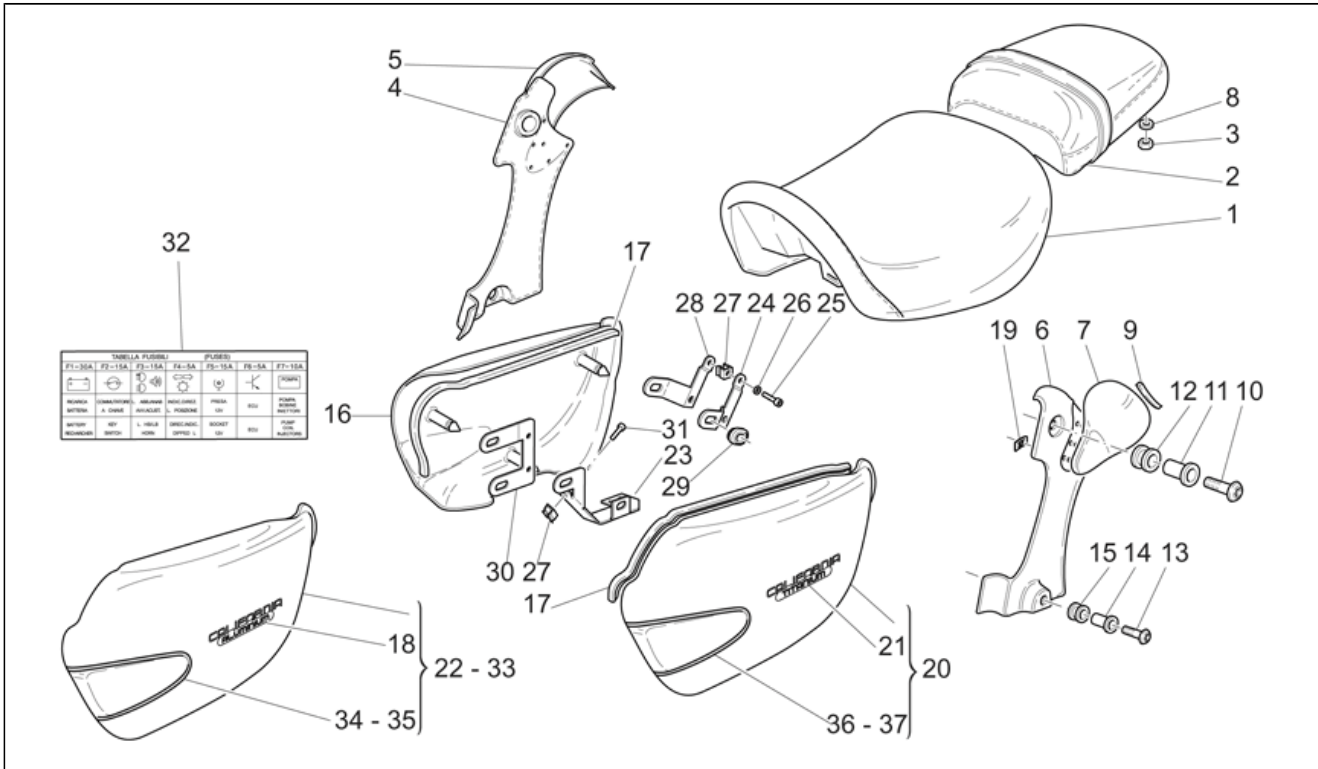
Assembly	FRAME
Code	33.24
Description	Fuel vapour recover system
Revision	1



Pos.	Code	Description	Q.ty	Variants
1	GU03100271	Fuel tank blank	1	Country: United States of America[USA]
1	GU89000513	Fuel tank steel/grey	1	Country: United States of America[USA] Technical Specifications: Aluminium version 2003[AL]
1	GU89000514	Fuel tank titanium/grey	1	Country: United States of America[USA] Technical Specifications: Titanium version 2003[TI]
2	GU03103920	Tank cap	1	Country: United States of America[USA]
3	GU29108550	Hose clip 11,5x6	4	Country: United States of America[USA]
4	GU29104985	Oil breather valve	1	Country: United States of America[USA]
5	GU00823956060	Pipe SAEJ30R76X121/4"	1	Country: United States of America[USA]
6	GU00823956050	Pipe SAE30 R73/16"	1	Country: United States of America[USA]
7	GU00823956080	Rubber pipe 12,5X7,8 5/16"	1	Country: United States of America[USA]
8	GU61108500	Hose clamp D9	6	Country: United States of America[USA]
9	GU29106660	3-way union	1	Country: United States of America[USA]
10	GU01116031	Carbon filter	1	Country: United States of America[USA]
11	GU03736820	Lock hardware kit	1	Country: United States of America[USA]
12	GU30115220	Union	2	Country: United States of America[USA]

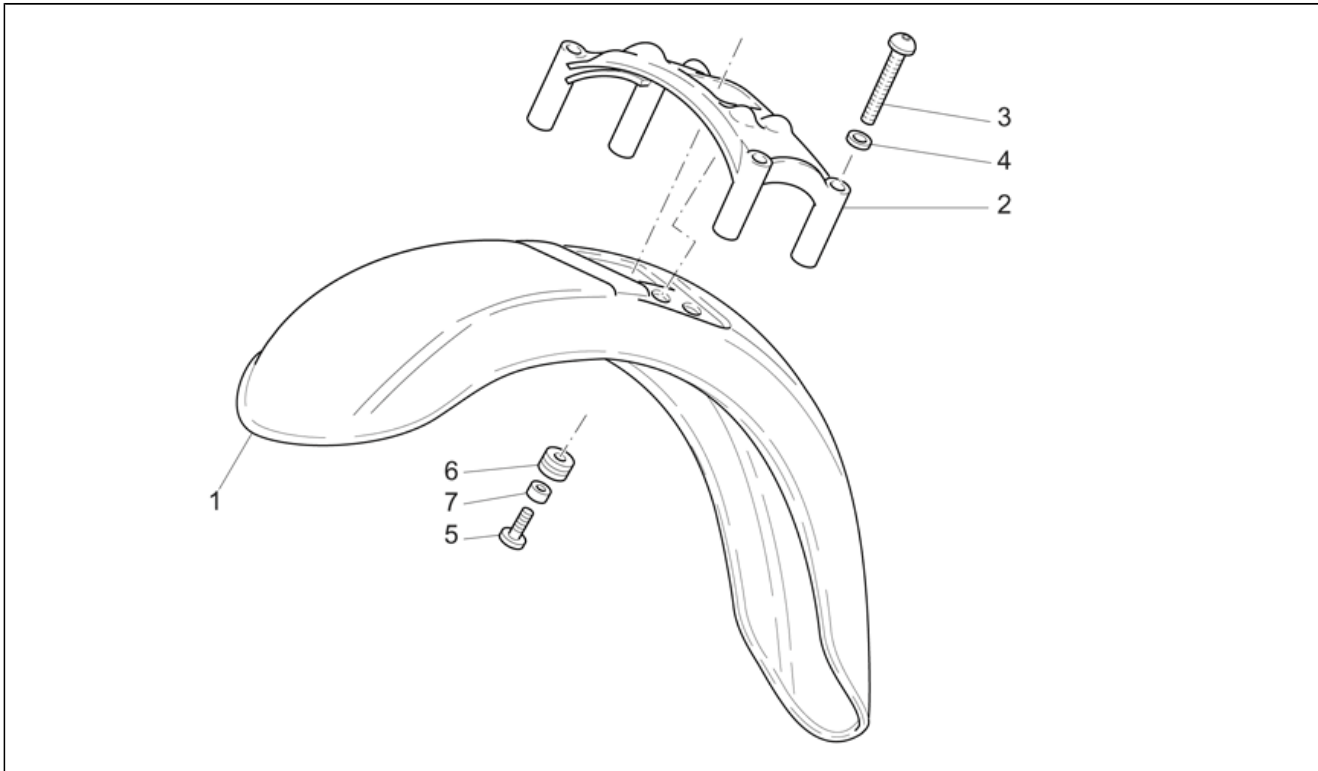


Assembly	FRAME
Code	33.25
Description	Saddle-Central bod
Revision	1



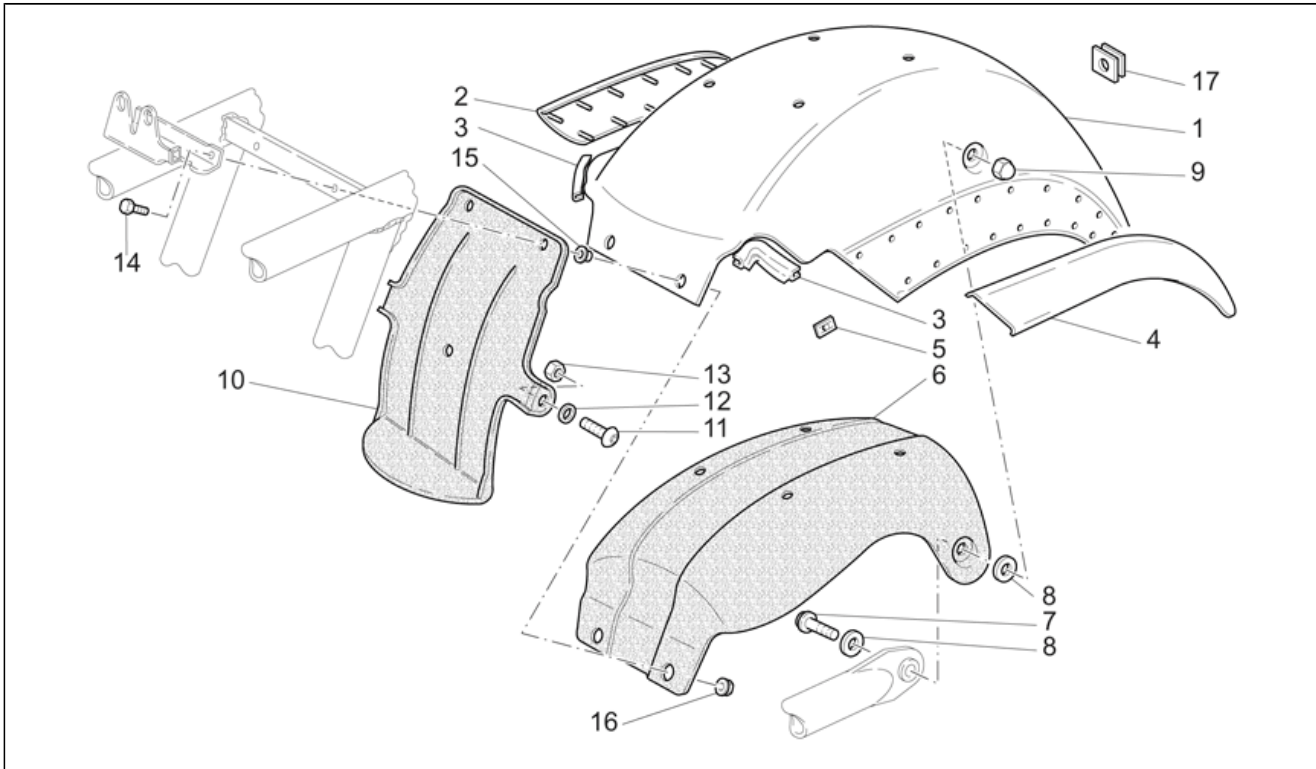
Pos.	Code	Description	Q.ty	Variants
1	GU03460560	Saddle	1	
2	GU03464060	Rear saddle	1	
3	GU92630106	Nut M6x1	4	
4	GU03467330	RH rear protect blank	1	
4	GU03467366	RH rear protect steel	1	Technical Specifications: Aluminium version 2003[AL]
4	GU03467367	RH rear protect grey	1	Technical Specifications: Titanium version 2003[TI]
5	GU03558165	Shock abs.guard, RH steel	1	Technical Specifications: Aluminium version 2003[AL]
5	GU03558167	Shock abs.guard, RH grey	1	Technical Specifications: Titanium version 2003[TI]
6	GU03466930	RH rear protect blank	1	
6	GU03466966	RH rear protect steel	1	Technical Specifications: Aluminium version 2003[AL]
6	GU03466967	LH rear protect grey	1	Technical Specifications: Titanium version 2003[TI]
7	GU03558265	Shock abs.guard, LH steel	1	Technical Specifications: Aluminium version 2003[AL]
7	GU03558267	Shock abs.guard, LH grey	1	Technical Specifications: Titanium version 2003[TI]
8	GU95100141	Washer 6,4x12x1,2	4	
9	GU00823931082	Support rubber part	1	
10	GU98223830	Screw	2	
11	GU03459330	Upper spacer	2	
12	GU91551165	Dowel	2	
13	GU98223625	Screw w/ flange M6x25	2	
14	GU03459331	Under spacer	2	
15	GU91551010	Rubber spacer	2	
16	GU03476265	RH side cover blank	1	
16	GU03476268	RH side cover titanium	1	Technical Specifications: Titanium version 2003[TI]
17	GU00823931070	Gasket	1	
18	GU03922066	Sticker "CALIFORNIA TITANIUM"	1	Technical Specifications: Aluminium version 2003[AL]
19	GU39922200	Plate	12	
20	GU03476365	LH side cover blank	1	
20	GU03476368	LH side cover titanium	1	Technical Specifications: Titanium version 2003[TI]

Assembly	FRAME
Code	33.26
Description	Front mudguard
Revision	1



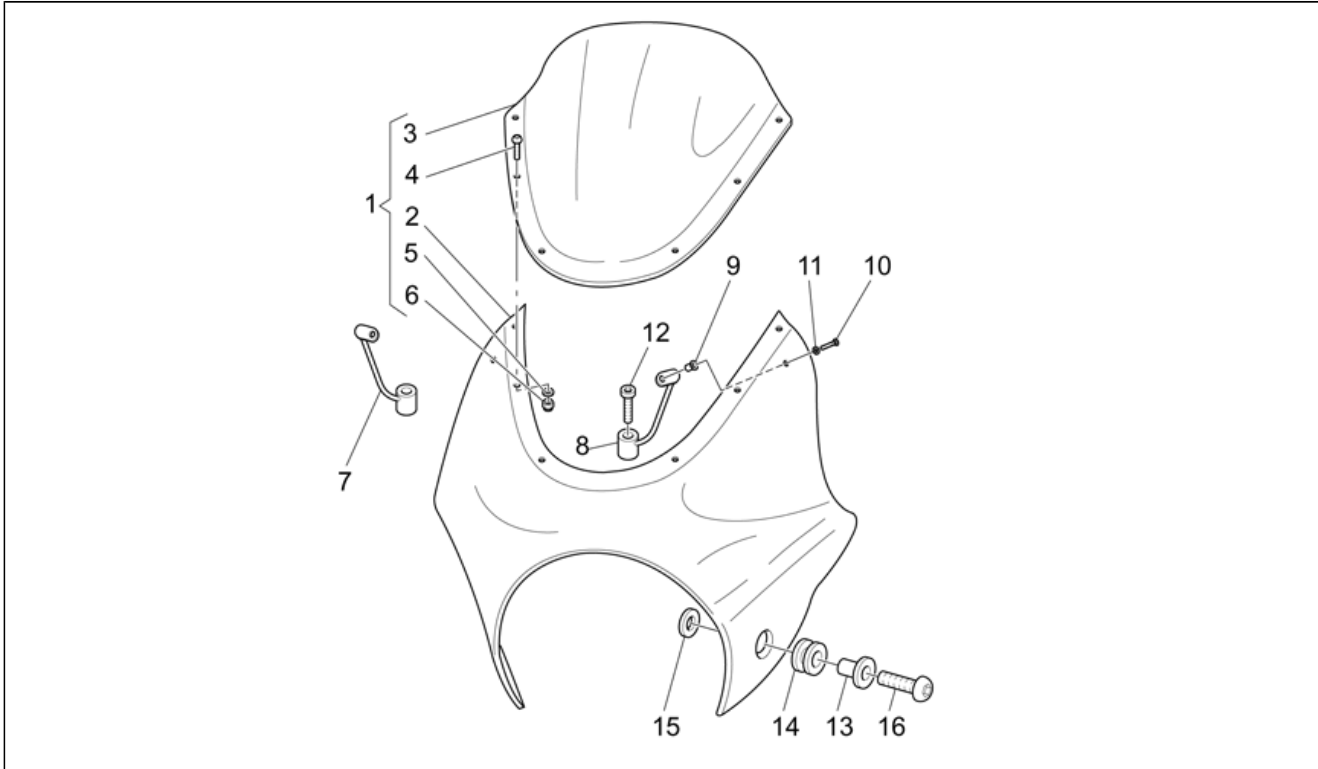
Pos.	Code	Description	Q.ty	Variants
1	GU03434365	Front mudguard blank	1	
1	GU03434366	Front mudguard steel	1	Technical Specifications: Aluminium version 2003[AL]
1	GU03434367	Front mudguard titanium	1	Technical Specifications: Titanium version 2003[TI]
2	GU03436600	Stabilization plate	1	
3	GU98370850	Hex socket screw	4	
4	GU95008208	Washer 8,4X15X1,5	4	
5	GU98370622	Hex socket screw	4	
6	GU91551010	Rubber spacer	4	
7	GU03576170	Spacer	4	

Assembly	FRAME
Code	33.27
Description	Rear mudguard
Revision	1



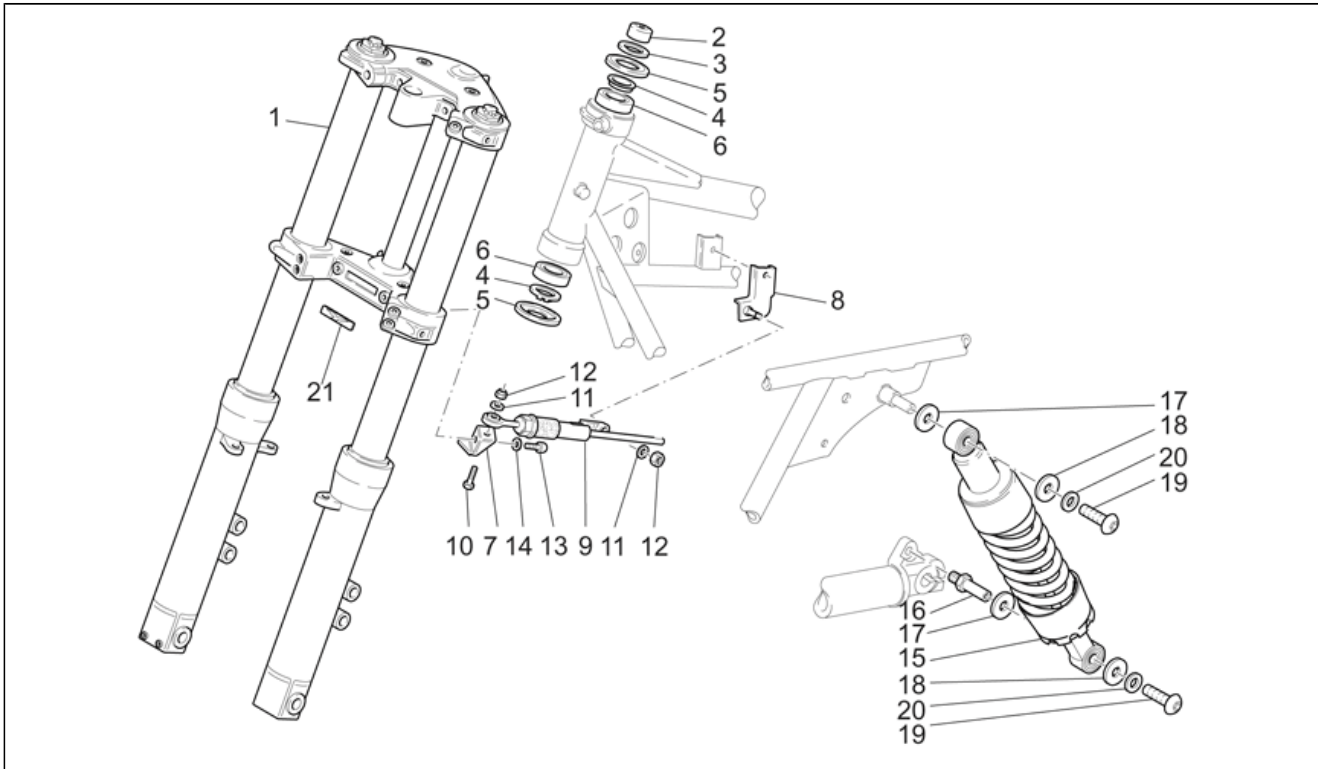
Pos.	Code	Description	Q.ty	Variants
1	GU03437130	Rear mudguard blank	1	
1	GU03437166	Rear mudguard steel	1	Technical Specifications: Aluminium version 2003[AL]
1	GU03437167	Rear mudguard titanium	1	
2	GU03437765	Rear RH side profile ch.stee	1	Technical Specifications: Aluminium version 2003[AL]
2	GU03437767	RH side profile grey	1	Technical Specifications: Titanium version 2003[TI]
3	GU00155930171	Gasket	1	
4	GU03437865	Rear LH side profile ch.stee	1	Technical Specifications: Aluminium version 2003[AL]
4	GU03437867	LH side profile grey	1	Technical Specifications: Titanium version 2003[TI]
5	GU03922230	Clip	42	
6	GU03437430	U-bolt under rear mudguard	1	
7	GU98223825	Screw w/ flange	2	
8	GU95005312	Washer 8,5x24x2	4	
9	GU92787008	Cap nut M8x1,25	2	
10	GU03438030	Splash guard	1	
11	GU98230625	Screw	2	
12	GU95001205	Washer	2	
13	GU92630107	Nut	2	
14	GU98350325	Hex socket screw M6x22	2	
15	GU03578730	Spacer	2	
16	GU92650036	Flanged nut M6	2	
17	GU91551099	Rubber spacer	1	

Assembly	FRAME
Code	33.28
Description	Windshield
Revision	1



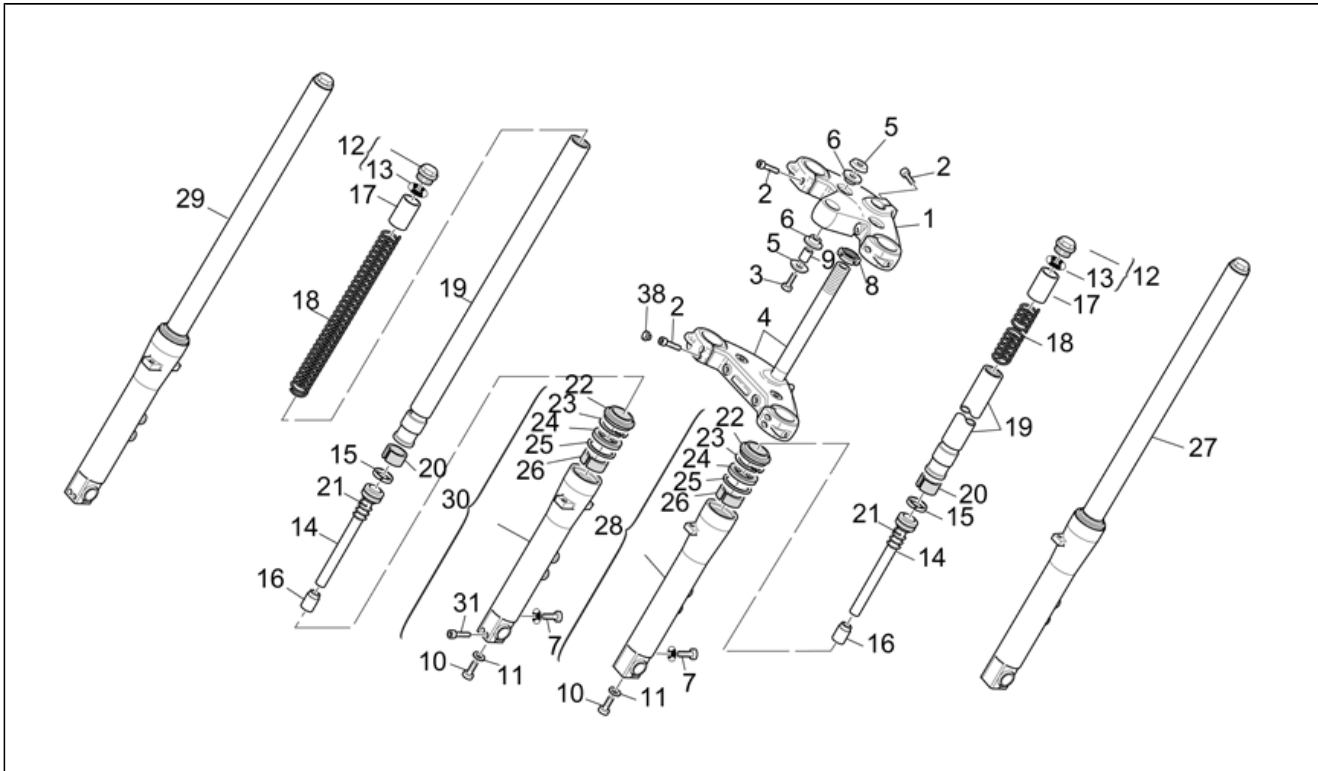
Pos.	Code	Description	Q.ty	Variants
1	GU03575365	Windshield, cpl.	1	Technical Specifications: Titanium version 2003[TI]
2	GU01575442	Headlight windshield blank	1	Technical Specifications: Titanium version 2003[TI]
2	GU03575465	Windshield, grey	1	Technical Specifications: Titanium version 2003[TI]
3	GU01577242	Windscreen	1	Technical Specifications: Titanium version 2003[TI]
4	GU98358108	Screw	6	Technical Specifications: Titanium version 2003[TI]
5	GU95007204	Washer	12	Technical Specifications: Titanium version 2003[TI]
6	GU92781040	Nut	6	Technical Specifications: Titanium version 2003[TI]
7	GU03577565	RH support	1	Technical Specifications: Titanium version 2003[TI]
8	GU03578665	LH support	1	Technical Specifications: Titanium version 2003[TI]
9	GU93231605	Antivibration bush	2	Technical Specifications: Titanium version 2003[TI]
10	GU98370515	Screw M5x14	2	Technical Specifications: Titanium version 2003[TI]
11	GU30577800	Nylon washer 5,5X12X1	2	Technical Specifications: Titanium version 2003[TI]
12	GU98680450	Hex socket screw	2	Technical Specifications: Titanium version 2003[TI]
13	GU91120806	Spacer	2	Technical Specifications: Titanium version 2003[TI]
14	GU01573940	Rubber spacer	2	Technical Specifications: Titanium version 2003[TI]
15	GU95100218	Washer	2	Technical Specifications: Titanium version 2003[TI]
16	GU98370831	Hex socket screw M8x30	2	Technical Specifications: Titanium version 2003[TI]

Assembly	FRAME
Code	33.29
Description	F.fork-R.shock absorber
Revision	1



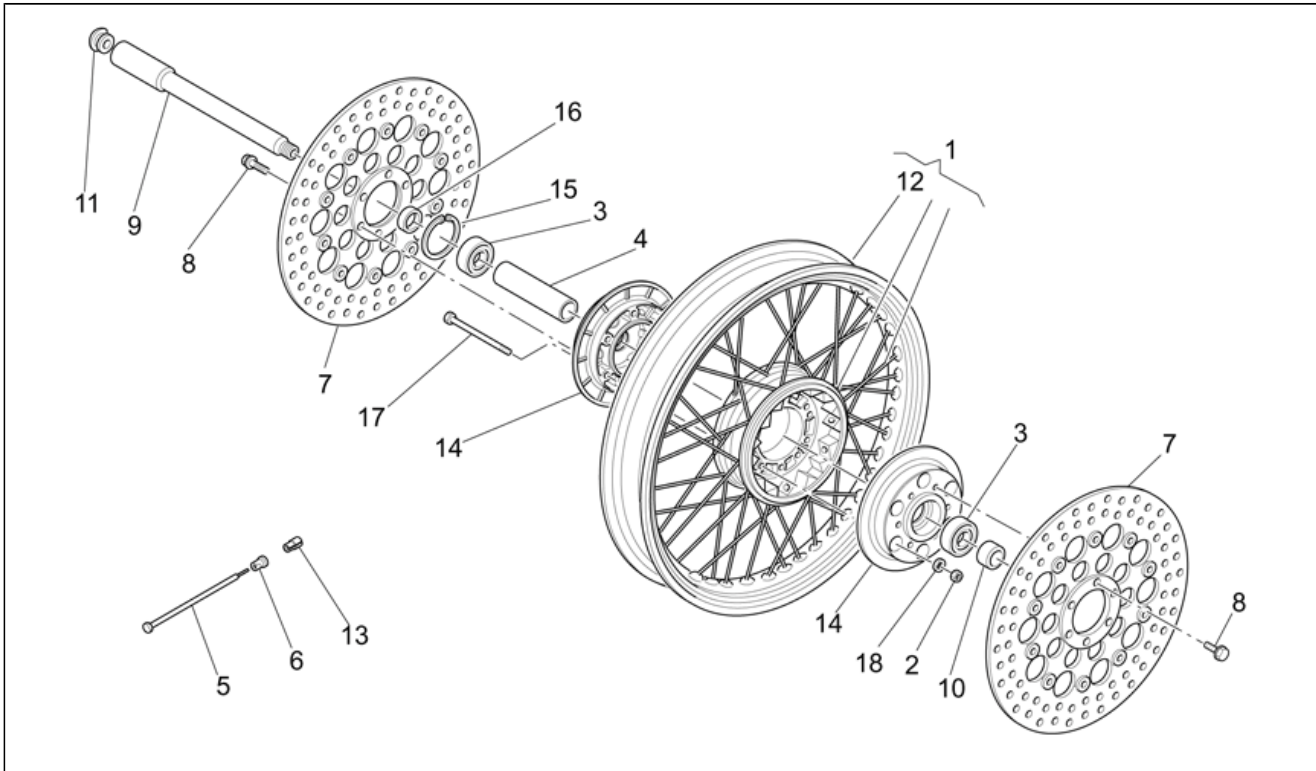
Pos.	Code	Description	Q.ty	Variants
1	GU03490266	Front fork	1	
2	GU30513401	Head fixing nut	1	
3	GU30516500	Washer	1	
4	GU14516700	Clearance washer	2	
5	GU14517000	Dust cover	2	
6	GU92249225	Tap.roller bearing	2	
7	GU03531800	Shock absorber plate	1	
8	GU03531000	Plate	1	
9	GU03530270	Steering shock absorber SEBAC	1	
10	GU98084325	Hex screw M6x25	1	
11	GU95008306	Washer 6,4x12x1,2	3	
12	GU92630707	Nut	2	
13	GU98350320	Hex socket screw	1	
14	GU03013800	Washer 6,4x12	1	
15	GU03550260	Shock absorber Sachs	2	
15	GU03550261	Shock absorber PAIOLI	2	
16	GU03541850	Rear swing arm pin	1	
17	GU95100432	Washer	4	
18	GU95005330	Washer 6,4x30x1,5	4	
19	GU98370614	Hex socket screw	4	
20	GU03270300	Washer 8,4x15	4	
21	GU01517700	Decal "Aquila"	1	

Assembly	FRAME
Code	33.30
Description	Front fork
Revision	1



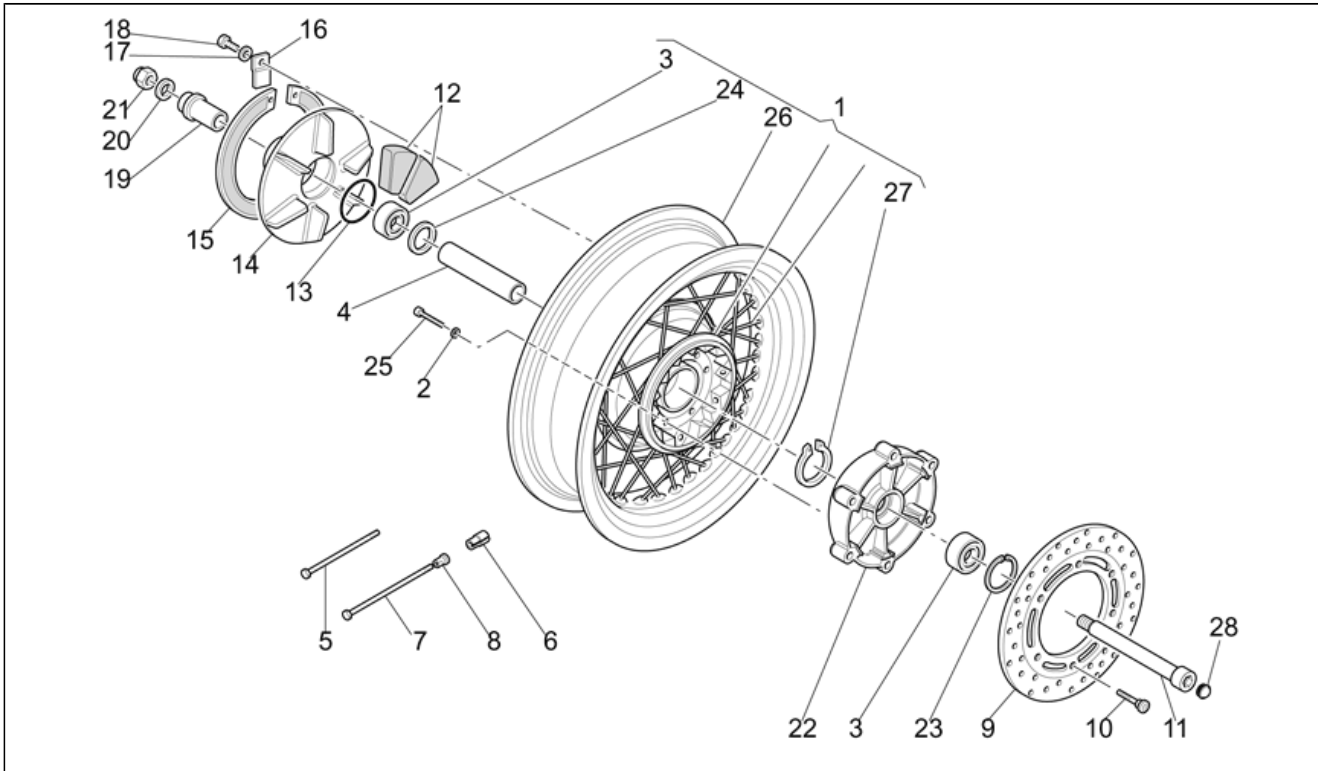
Pos.	Code	Description	Q.ty	Variants
29	GU03490630	RH hub cpl.	1	
30	GU03522501001	RH sleeve	1	
31	GU98680340	Hex socket screw	2	

Assembly	FRAME
Code	33.31
Description	Front wheel
Revision	1



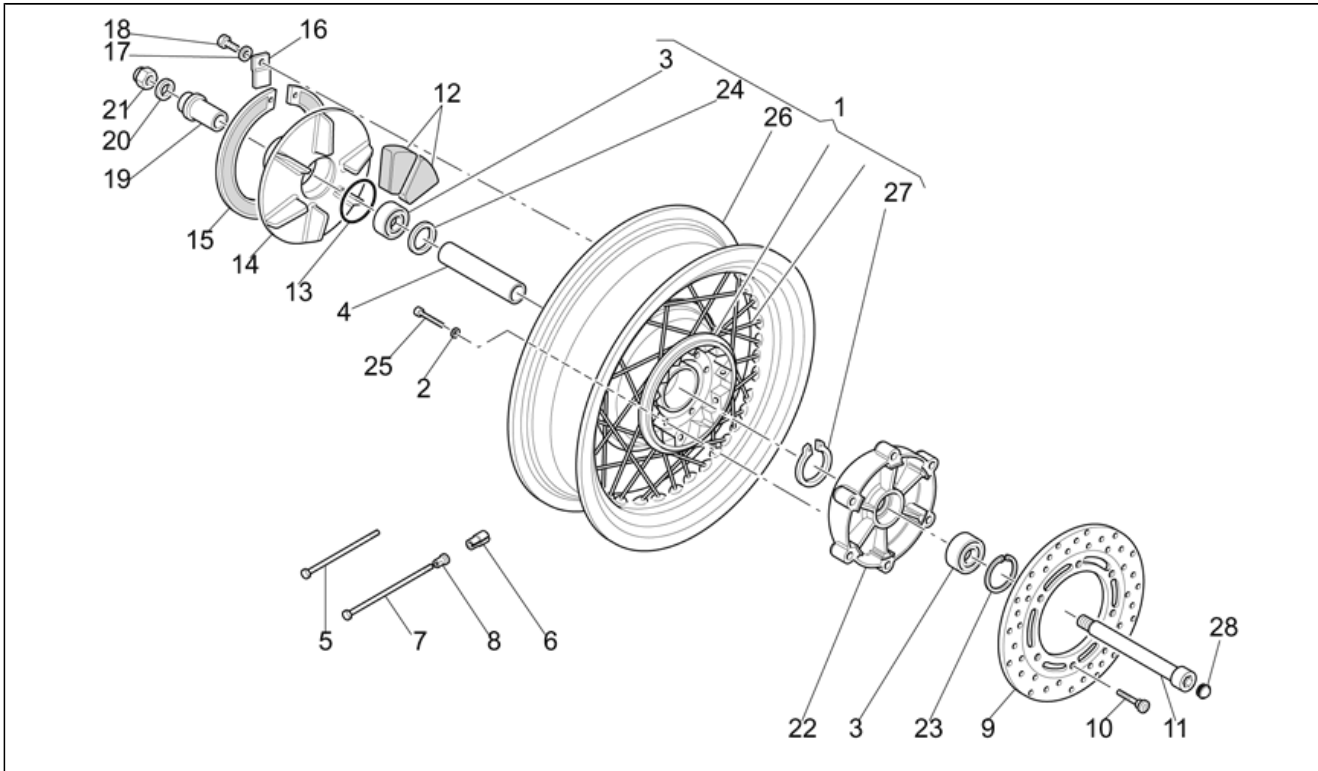
Pos.	Code	Description	Q.ty	Variants
1	GU03610340	Front wheel 2,50x18"	1	
2	GU92630508	Nut	6	
3	GU92204220	Ball bearing 20X47X14	2	
4	GU29615260	Spacer	1	
5	GU03611640	Spoke	40	
6	GU03611750	Nipples	40	
7	GU31613383	Front brake disc	2	
8	GU03611445	Screw w/ flange M8x20	12	
9	GU03614101	Front wheel spindle	1	
10	GU03616340	LH spacer	1	
11	GU93180111	Plug 15 mm	1	
12	GU03610840	Front wheel 2,50x18"	1	
13	GU12616101	Counterweight 15 gr.	1	
13	GU12616102	Counterweight 20 gr.	1	
13	GU12616103	Counterweight 30 gr.	1	
14	GU03620340	Flange	2	
15	GU90272047	Circlip 47X50,5	1	
16	GU03615640	Spacer	1	
17	GU98082480	Screw M8x80	6	
18	GU14615901	Washer 8,4X13X0,8	6	

Assembly	FRAME
Code	33.32
Description	Rear wheel
Revision	1



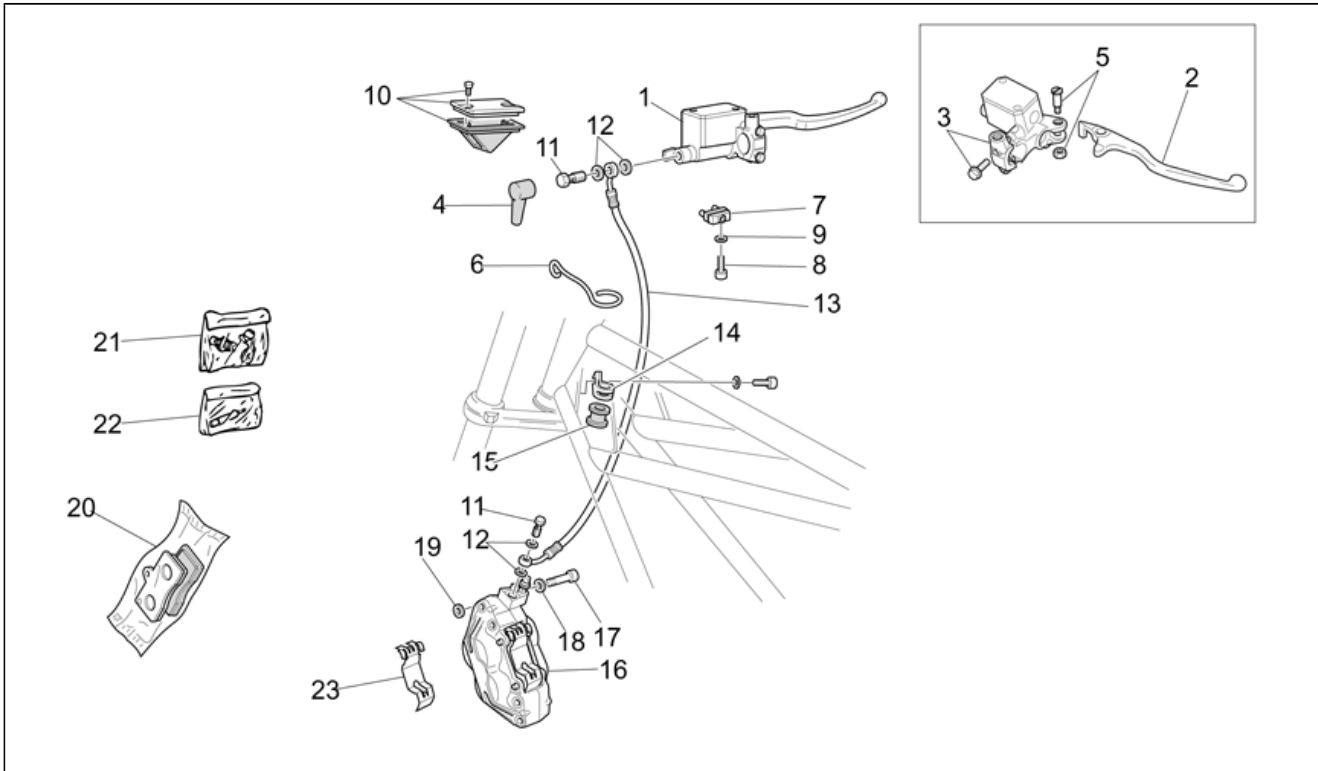
Pos.	Code	Description	Q.ty	Variants
1	GU03630650	Rear wheel 3,50x17"	1	
2	GU14615901	Washer 8,4X13X0,8	6	
3	GU92204220	Ball bearing 20X47X14	2	
4	GU14634051	Spacer	1	
5	GU30631160	Short spoke	20	
6	GU12616101	Counterweight 15 gr.	1	
6	GU12616102	Counterweight 20 gr.	1	
6	GU12616103	Counterweight 30 gr.	1	
7	GU30631430	Long spoke	20	
8	GU03631250	Nipples	40	
9	GU03635701	Rear brake disc gold	1	
10	GU30611460	Screw	6	
11	GU03633370	Rear wheel spindle	1	
12	GU01336800	Rubber cush drive hub	12	
13	GU90706490	O-ring	1	
14	GU30335260	Flexible coupling disc	1	
15	GU14335303	Snap ring	1	
16	GU17335950	Plate	1	
17	GU03013800	Washer 6,4x12	1	
18	GU98084312	Hex screw M6x12	1	
19	GU03634150	Spacer	1	
20	GU95008219	Washer 19x34x3	1	
21	GU92630719	Nut M18	1	
22	GU03632440	Plate holder hub	1	
23	GU90272047	Circlip 47X50,5	1	
24	GU17633550	Cup	1	
25	GU98822430	Screw M8x30	6	
26	GU03630740	Rear wheel 3,50x17"	1	

Assembly	FRAME
Code	33.32
Description	Rear wheel
Revision	1



Pos.	Code	Description	Q.ty	Variants
27	GU90271055	Circlip	1	
28	GU93180111	Plug 15 mm	1	

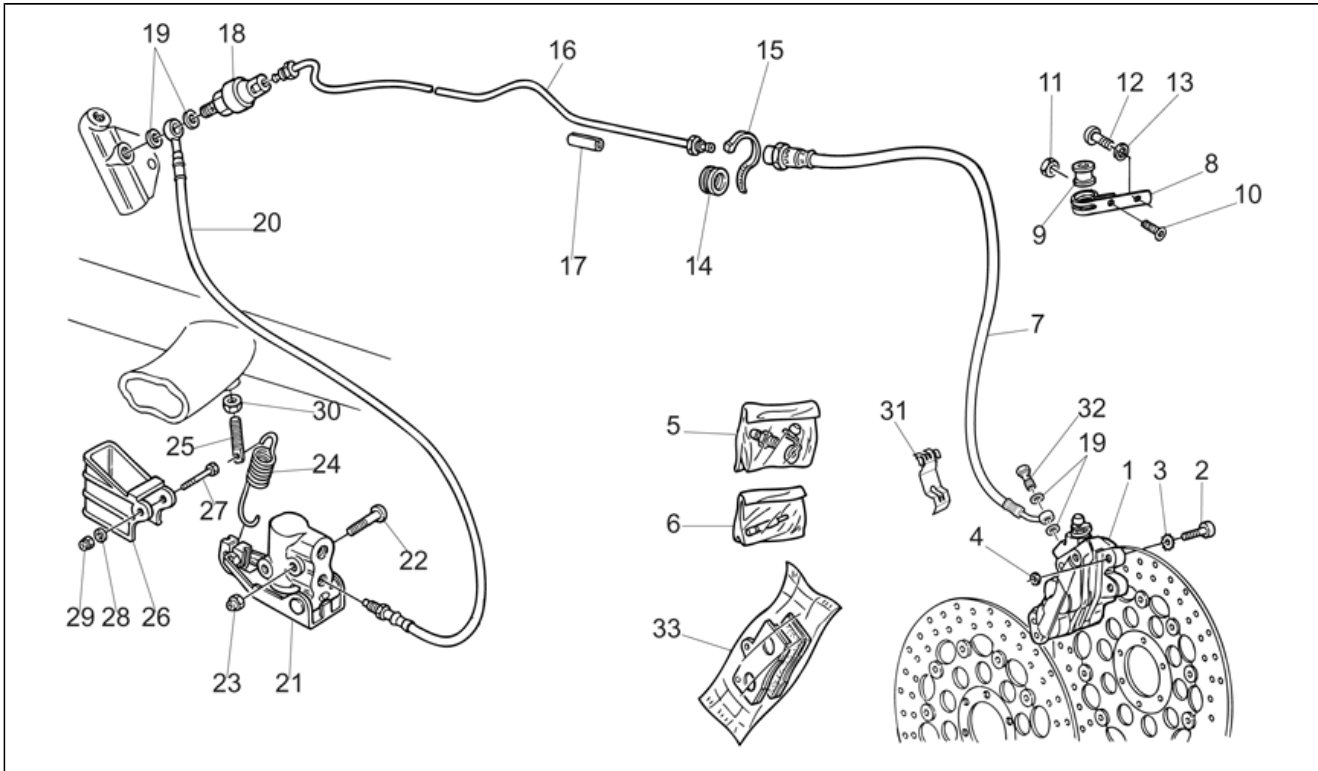
Assembly	FRAME
Code	33.33
Description	RH Front brake system
Revision	1



Pos.	Code	Description	Q.ty	Variants
1	GU03660145	Front master cilinder	1	
2	GU03605645	Brake lever	1	
3	GU03664045	U-bolt	1	
4	GU39663801	Cap	1	
5	GU03604845	Lever pin	1	
6	GU03659700	Cable-guide	1	
7	GU03749845	Brake light switch	1	
8	GU98370412	Hex socket screw M4x12	1	
9	GU95021204	Washer	1	
10	GU03661145	Pump cover	1	
11	GU95990028	Oil pipe screw *	2	
12	GU25656100	Gasket	2	
13	GU03657165	RH brake hose	1	
14	GU03658430	Hose clamp	1	
15	GU03658201	Ring	1	
16	GU01652330	RH Front brake caliper, gold	1	
17	GU98683530	Screw M10x30	2	
18	GU19149800	Washer 10,5x16x1	2	
19	GU95100332	Clearance washer 0,5 mm	4	
19	GU95100333	Clearance washer 0,8 mm	4	
20	GU01654630	Pads pair	1	
21	GU01659230	Bleeder+cap	1	
22	GU01659130	Pins+Caliper springs	1	
23	GU01659131	Spring	1	

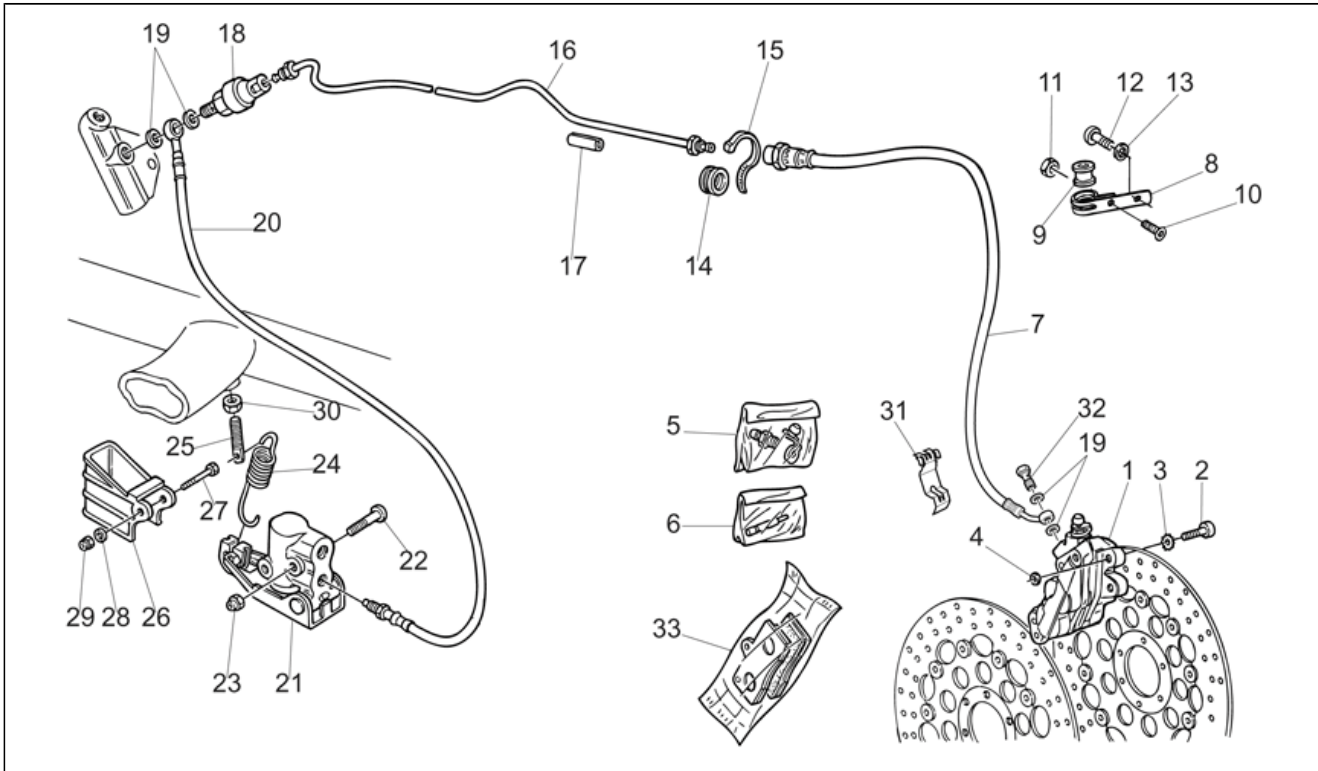


Assembly	FRAME
Code	33.34
Description	LH Front brake system
Revision	1



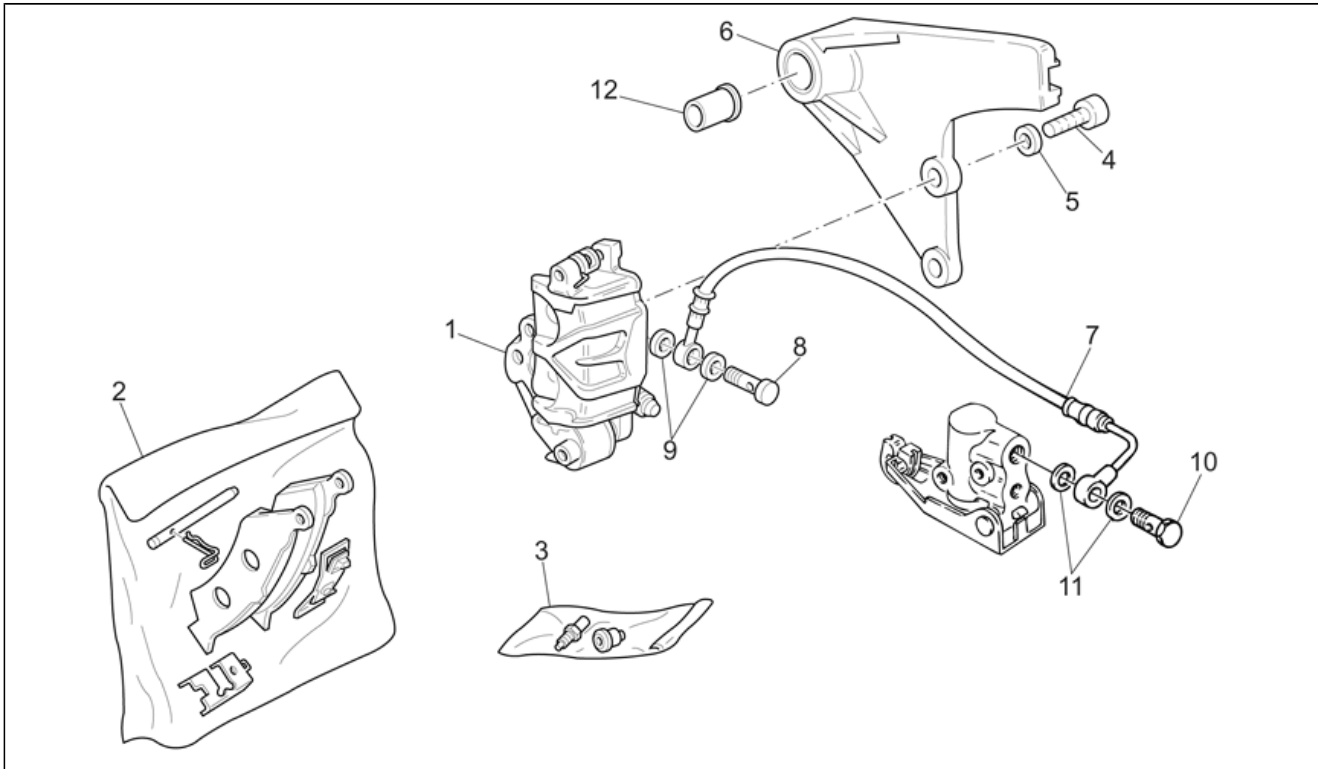
Pos.	Code	Description	Q.ty	Variants
1	GU01652230	LH Front brake caliper, gold	1	
2	GU98683530	Screw M10x30	2	
3	GU19149800	Washer 10,5x16x1	2	
4	GU95100332	Clearance washer 0,5 mm	4	
4	GU95100333	Clearance washer 0,8 mm	4	
5	GU01659230	Bleeder+cap	2	
6	GU01659130	Pins+Caliper springs	2	
7	GU03658801	Brake hose	1	
8	GU03658330	Hose clamp	1	
9	GU03658201	Ring	1	
10	GU98280410	Screw	1	
11	GU92630104	Nut M4x0,7	1	
12	GU98350315	Hex socket screw	1	
13	GU03013800	Washer 6,4x12	1	
14	GU91551120	Ring	1	
15	GU14609650	Hose clamp 3,6x20,6	1	
16	GU30658760	Pipe	1	
17	GU17659650	Piston ring	1	
18	GU03668500	Valve 4,5 bar	1	
19	GU25656100	Gasket	4	
20	GU03656200	Brake hose	1	
21	GU03668200	Braking correction device	1	
22	GU98350440	Screw	2	
23	GU92630108	Nut	2	
24	GU03668801	Spring	1	
25	GU03667300	Adjuster screw	1	
26	GU03668900	Spring protection	1	
27	GU98082250	Screw	1	

Assembly	FRAME
Code	33.34
Description	LH Front brake system
Revision	1



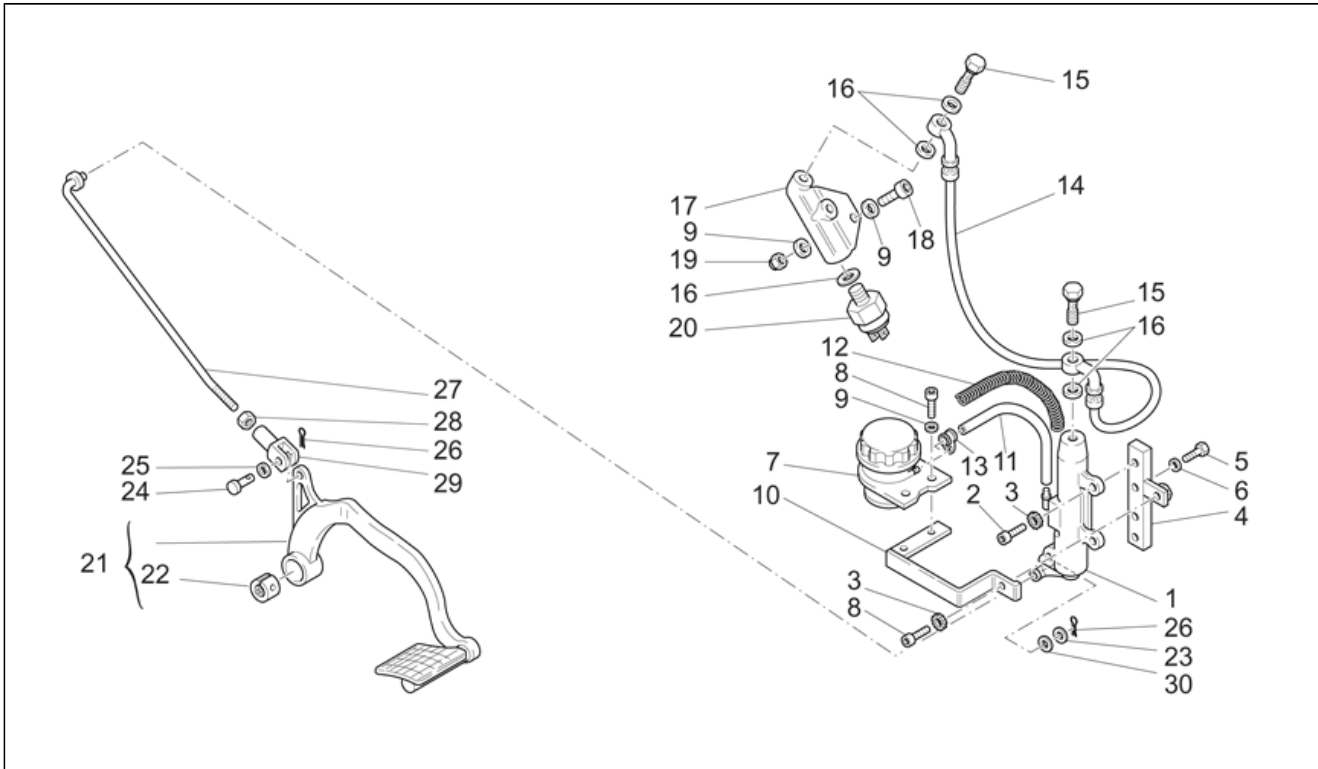
Pos.	Code	Description	Q.ty	Variants
28	GU95008205	Washer 5,3x10x0,8	2	
29	GU92630205	Nut	1	
30	GU92606408	Nut	1	
31	GU01659131	Spring	1	
32	GU95990028	Oil pipe screw *	2	
33	GU01654630	Pads pair	2	

Assembly	FRAME
Code	33.35
Description	Rear brake caliper
Revision	1



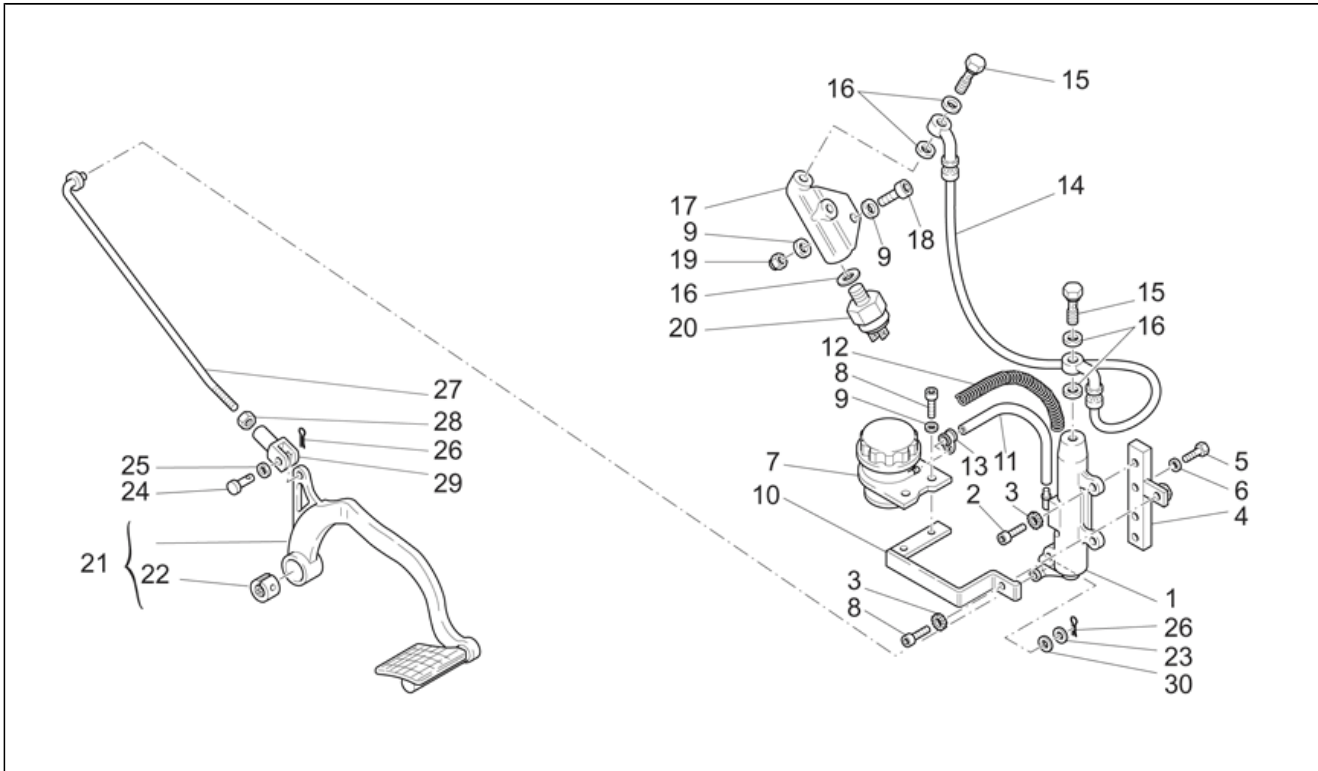
Pos.	Code	Description	Q.ty	Variants
1	GU03653001	Rear brake caliper, gold	1	
2	GU03654600	Pads kit	1	
3	GU31659260	Bleeder+cap BREMBO D.10	2	
4	GU98683530	Screw M10x30	2	
5	GU19149800	Washer 10,5x16x1	2	
6	GU03635851	Brake hanger plate	1	
7	GU03657500	Brake hose	1	
8	GU95990028	Oil pipe screw *	1	
9	GU25656100	Gasket	2	
10	GU95990040	Bored screw	1	
11	GU12006400	Gasket 12,25	2	
12	GU03634850	Spacer	1	

Assembly	FRAME
Code	33.36
Description	Rear master cylinder
Revision	1



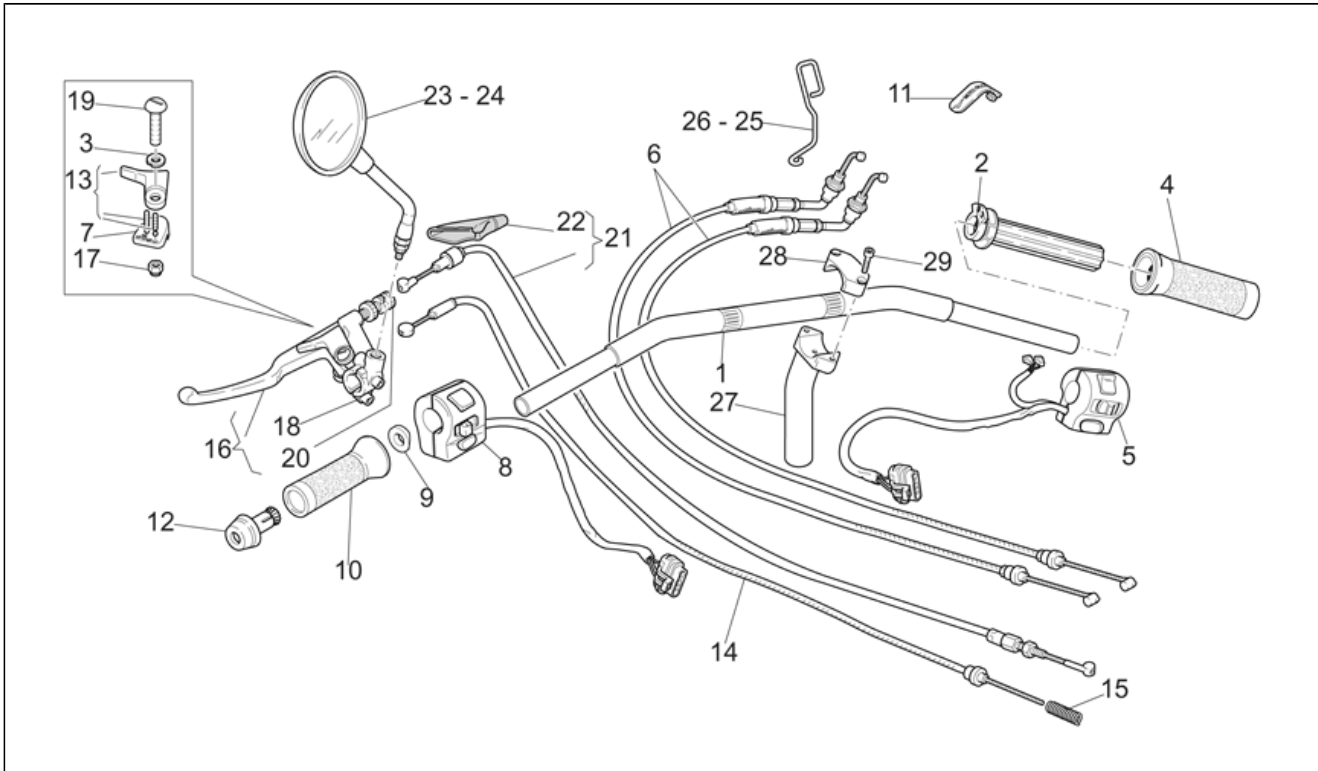
Pos.	Code	Description	Q.ty	Variants
1	GU30666960	Rear master cylinder	1	
2	GU98682322	Hex socket screw M6x22	2	
3	GU14217901	Washer 6,4x10x0,7	3	
4	GU30666760	Support plate	1	
5	GU98084412	Screw	2	
6	GU14615901	Washer 8,4X13X0,8	2	
7	GU65663500	Brake oil tank	1	
8	GU98682310	Hex socket screw M6x10	3	
9	GU95008306	Washer 6,4x12x1,2	4	
10	GU30666060	Oil tank plate	1	
11	GU00823950050	Oil pipe	1	
12	GU30665860	Spring	1	
13	GU61108500	Hose clamp D9	2	
14	GU03658500	Hose from pump to delayvalve	1	
15	GU95990028	Oil pipe screw *	2	
16	GU25656100	Gasket	2	
17	GU17656850	Distributor	1	
18	GU98682318	Hex socket screw	1	
19	GU92630206	Nut M6x1	1	
20	GU63657000	Switch	1	
21	GU03675930	Rear brake lever	1	
22	GU30678160	Bush	1	
23	GU95100173	Washer 7,5x13x1	1	
24	GU95780267	Pin	1	
25	GU95129110	Washer	4	
26	GU95500221	Split pin	2	
27	GU03675170	Tie rod	1	
28	GU92609007	Nut	1	

Assembly	FRAME
Code	33.36
Description	Rear master cylinder
Revision	1



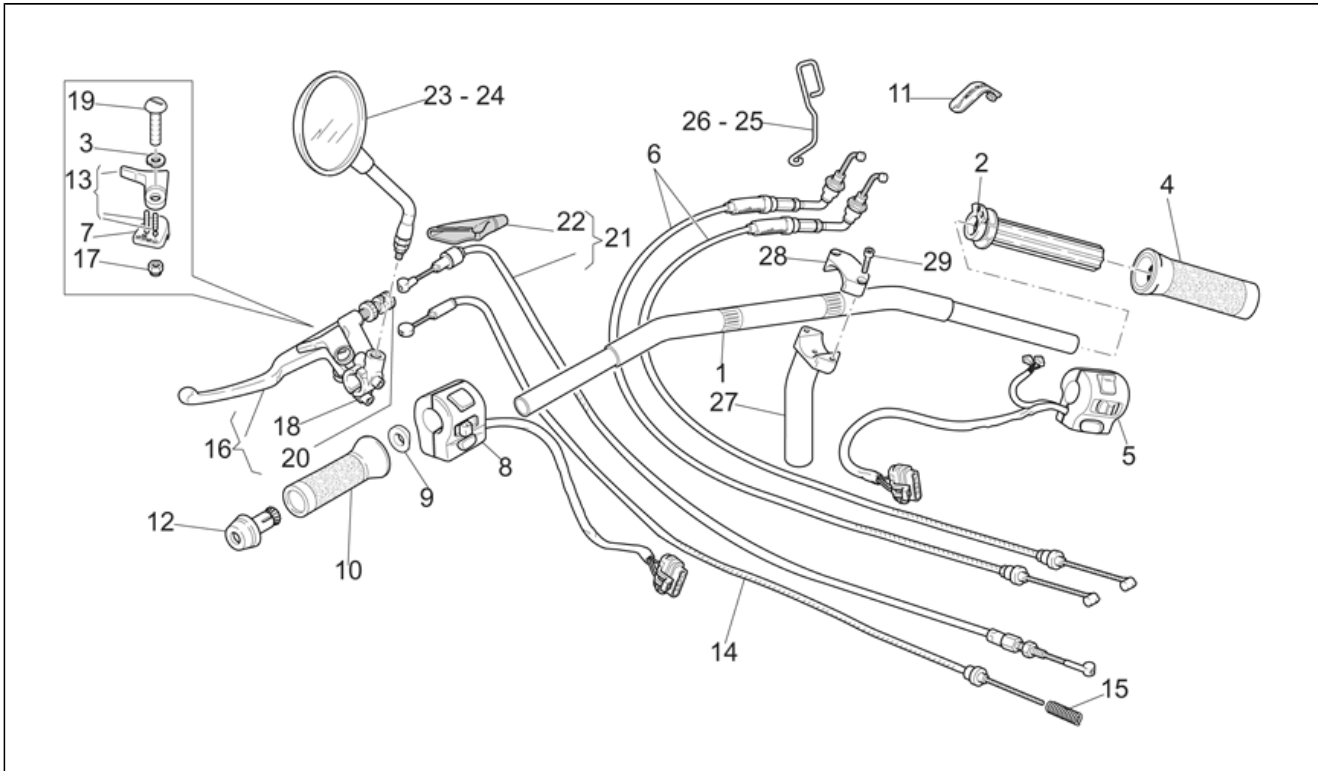
Pos.	Code	Description	Q.ty	Variants
29	GU95740175	Fork	1	
30	GU95129131	Washer 8,4x15x1,7	1	

Assembly	FRAME
Code	33.37
Description	Handlebar - Controls
Revision	1



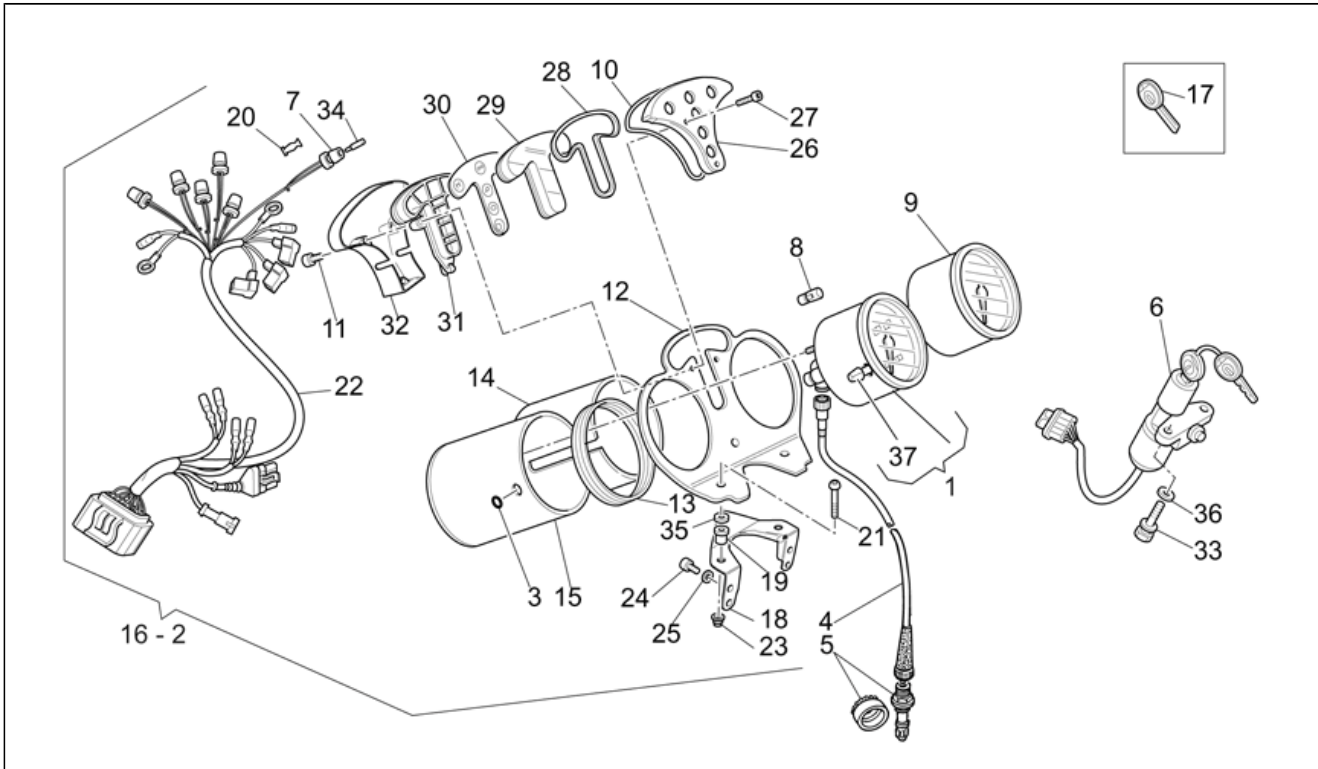
Pos.	Code	Description	Q.ty	Variants
1	GU03600366	Handlebar	1	
2	GU03603860	Throttle pipe w/out hand grip	1	
3	GU27530594	Washer	1	
4	GU03603560	RH hand grip	1	
5	GU03738846	RH lights selector	1	
6	GU03117565	Gas lever transmission	2	
7	GU27530595	Plate	1	
8	GU03738045	LH lights selector	1	
9	GU03604245	Bush	1	
10	GU03603060	LH hand grip	1	
11	GU01609630	Hose clamp L46 mm	2	
12	GU03602760	Balancing	2	
13	GU27135215	Starter lever	1	
14	GU03132865	Choke cable	1	
15	GU94321070	Spring	1	
16	GU03605545	Clutch lever	1	
17	GU92630106	Nut M6x1	1	
18	GU30601060	Clump	1	
19	GU27604315	Lever pin	1	
20	GU30602500	Register	1	
21	GU03093066	Clutch cable	1	
22	GU27663815	Protection	1	
23	GU03769465	RH rearview mirror	1	
24	GU03769865	LH rearview mirror	1	
25	GU03669001	LH eyelet for trans.guide	1	
26	GU03669000	RH eyelet for trans.guide	1	
27	GU03500265	Lower handlebar holder	2	
28	GU03500665	Clump	2	

Assembly	FRAME
Code	33.37
Description	Handlebar - Controls
Revision	1



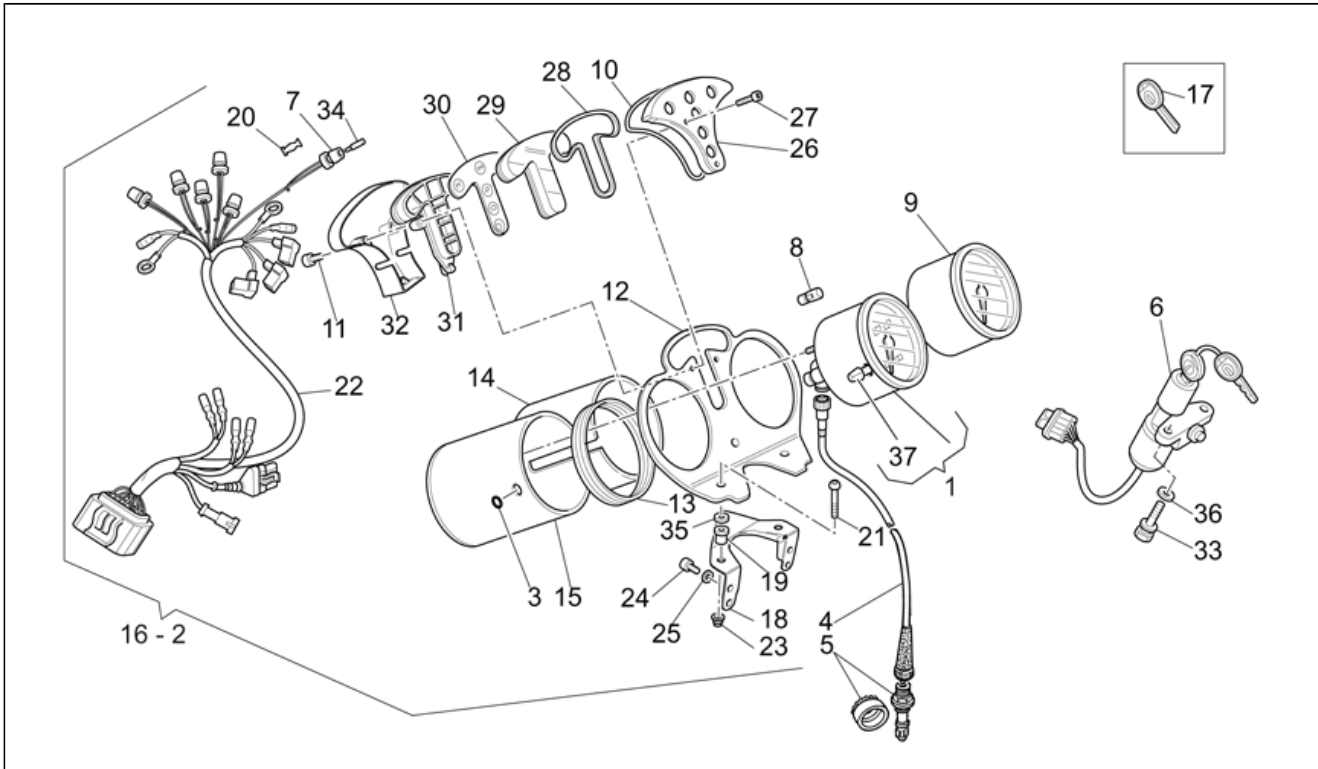
Pos.	Code	Description	Q.ty	Variants
29	GU98682430	Hex socket screw M8x30	4	

Assembly	FRAME
Code	33.38
Description	Dashboard
Revision	1



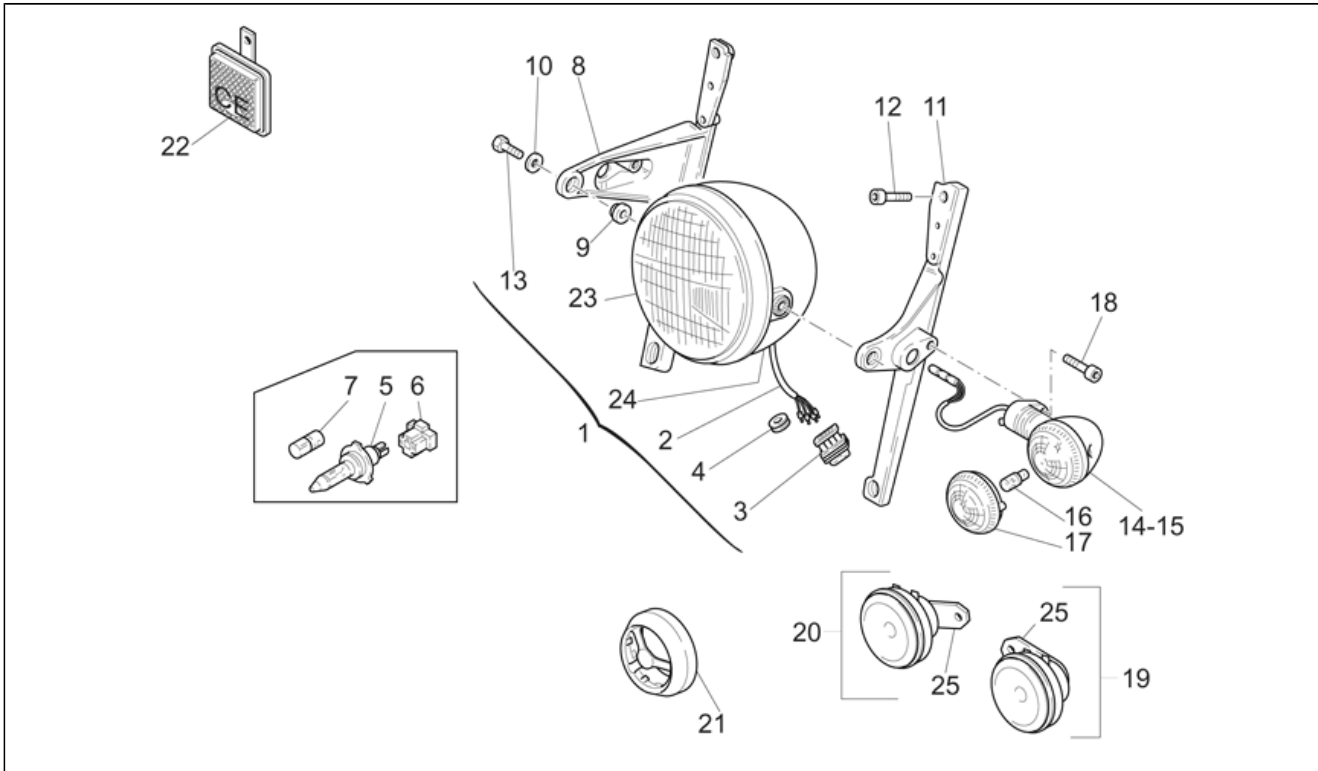
Pos.	Code	Description	Q.ty	Variants
1	GU03761570	Speedometer	1	Country:Australia[AUS], Other country[EU], Japan[J], New Zeland[NZ]
1	GU03762470	Speedometer	1	Country:Great Britain[UK], United States of America[USA]
2	GU03760076	Dashboard complete	1	Country:Great Britain[UK], United States of America[USA]
3	GU91551168	Rubber spacer	1	
4	GU03760465	Odometer cable	1	
5	GU03762550	Odometer gear	1	
6	GU01782500	Main switch - steering lock	1	
7	GU02768600	Lampholder	6	
8	GU93450120	Lamp 12v-3w	2	
9	GU03762720	Electronic revolution counter	1	
10	GU03762370	Gasket	1	
11	GU98872110	Screw	3	
12	GU02764000	Dashboard lower support	1	
13	GU02762301	Support rubber part	2	
14	GU03762070	Odometer support	1	
15	GU03761970	Tachometer support	1	
16	GU03760077	Dashboard complete	1	Country:Australia[AUS], Other country[EU], Japan[J], New Zeland[NZ]
17	GU30735500	Non indented key blank	1	
18	GU01766031	Socket support	1	
19	GU93222023	Silent-block	3	
20	GU93400012	Lamp holder end section	6	
21	GU98370609	Hex socket screw M6x10	3	
22	GU03747270	Dashboard cable	1	
23	GU92660007	Flanged nut M6x9	3	
24	GU98692318	Hex socket screw	4	
25	GU95008306	Washer 6,4x12x1,2	4	

Assembly	FRAME
Code	33.38
Description	Dashboard
Revision	1



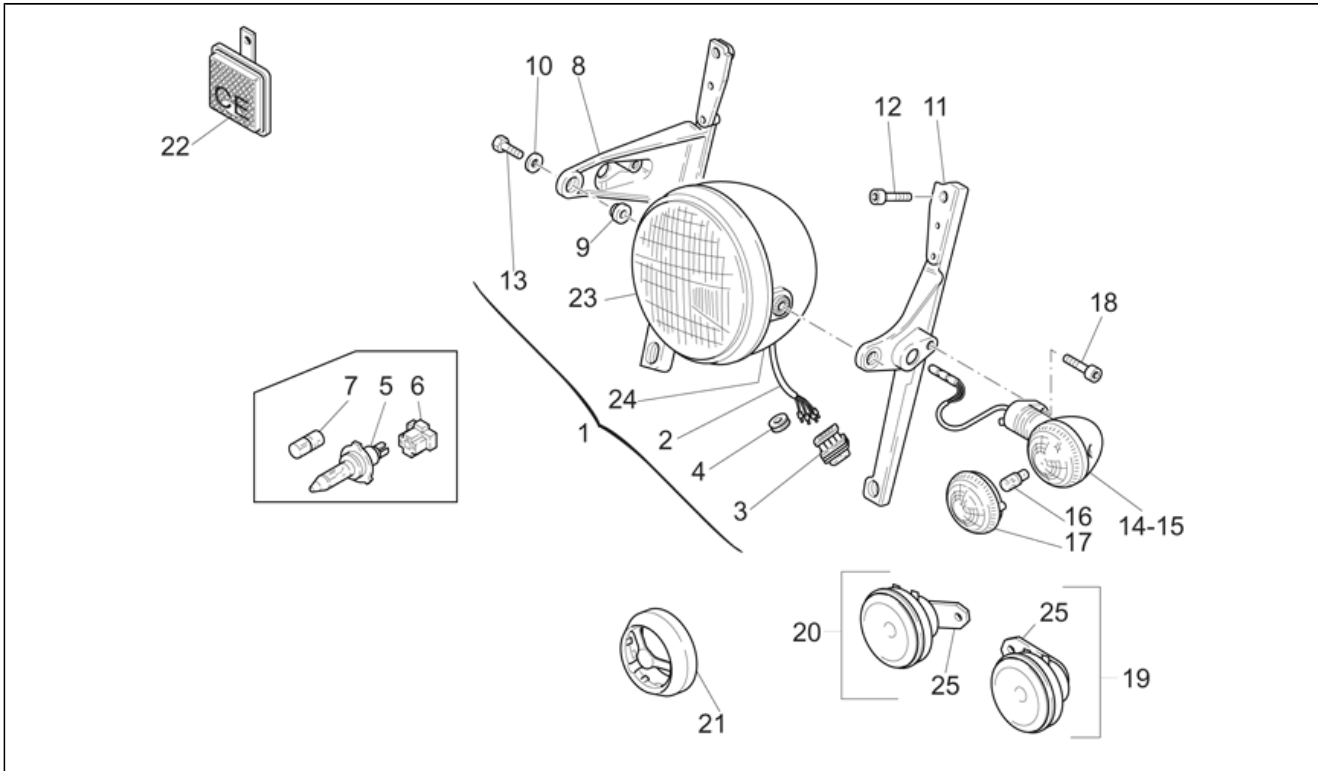
Pos.	Code	Description	Q.ty	Variants
26	GU03766265	Lamp-holding cover gray	1	
27	GU98872120	Screw	3	
28	GU02768200	Gasket	1	
29	GU02768400	Protection	1	
30	GU03781150	Gasket	1	
31	GU02766300	Indicator light box	1	
32	GU03766570	Lower cover	1	
33	GU97260415	Special screw M8x15	2	
34	GU93450140	Lamp 12V-1,2W	6	
35	GU95021206	Washer	3	
36	GU95008208	Washer 8,4X15X1,5	2	
37	GU03762870	Reset button	1	

Assembly	FRAME
Code	33.39
Description	Front lights
Revision	1



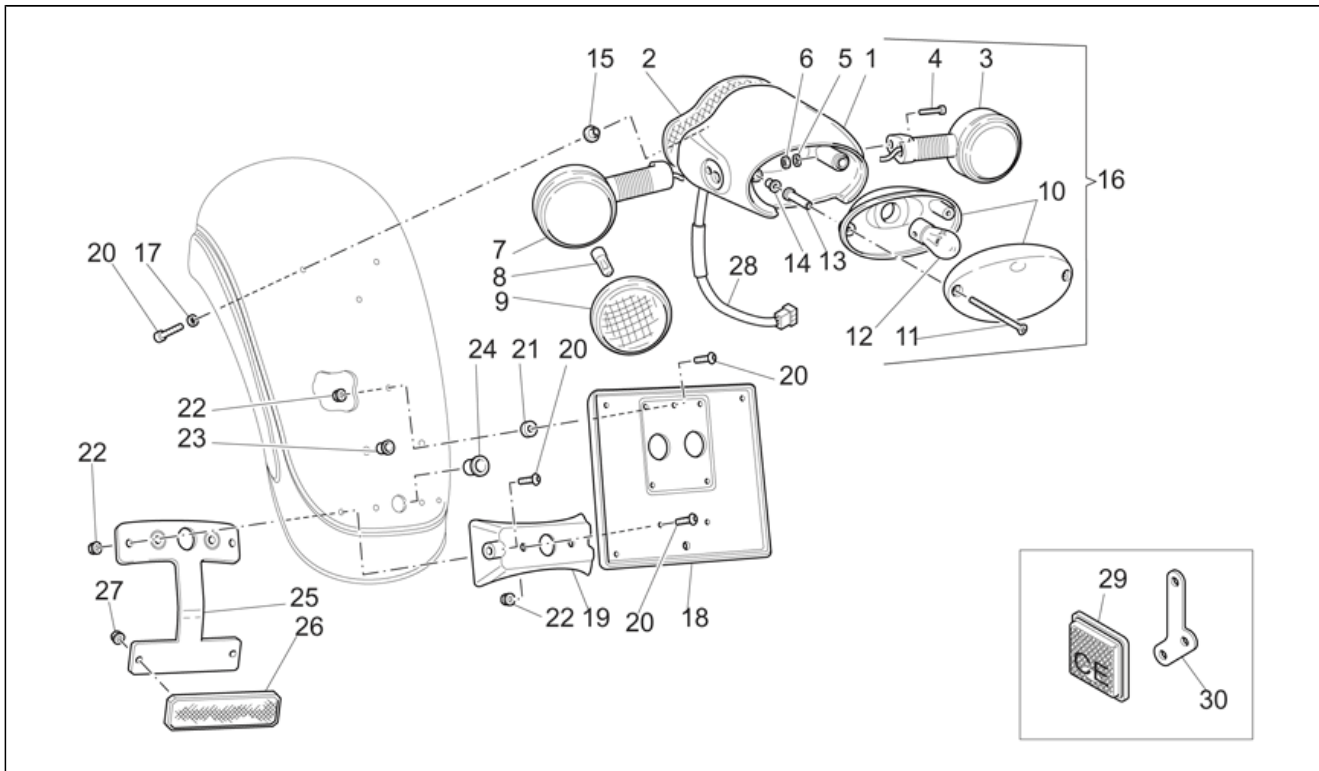
Pos.	Code	Description	Q.ty	Variants
1	GU03740531	Headlight	1	Country: Other country[EU], United States of America[USA]
1	GU03740535	Cpl headlightsteering headligh	1	Country: Australia[AUS], Japan[J], New Zeland[NZ], Great Britain[UK]
2	GU02746900	Wiring	1	
3	GU01756100	4-way connector AMP	1	
4	GU91551105	Rubber spacer	1	
5	GU93450232	Lamp 12V-55/60W	1	
6	GU01756220	Lampholder	1	
7	GU93450119	Lamp 12V-4W	1	
8	GU03496130	RH support	1	
9	GU14439800	Spacer	2	
10	GU95008208	Washer 8,4X15X1,5	2	
11	GU03496230	LH support	1	
12	GU98692318	Hex socket screw	4	
13	GU98064425	Screw	1	
14	GU03751631	RH front/LH rear turn indic.	1	
15	GU03751630	LH front/RH rear turn indic.	1	
16	GU93450127	Lamp 12V-10W	2	
17	GU31753765	Turn indicator lens	2	
18	GU98682314	Hex socket screw M6x14	2	
19	GU01743790	Electric hom H	1	
20	GU01743791	Electric hom L	1	
21	GU03744760	Horn mask	2	
22	GU14781670	Reflector, amber	2	Country: United States of America[USA]
23	GU03740430	Optical group	1	Country: Other country[EU], United States of America[USA]
23	GU03740431	Optical group	1	Country: Australia[AUS], Japan[J], New Zeland[NZ], Great Britain[UK]
24	GU03740438	Rear cap chromium plated	1	

Assembly	FRAME
Code	33.39
Description	Front lights
Revision	1



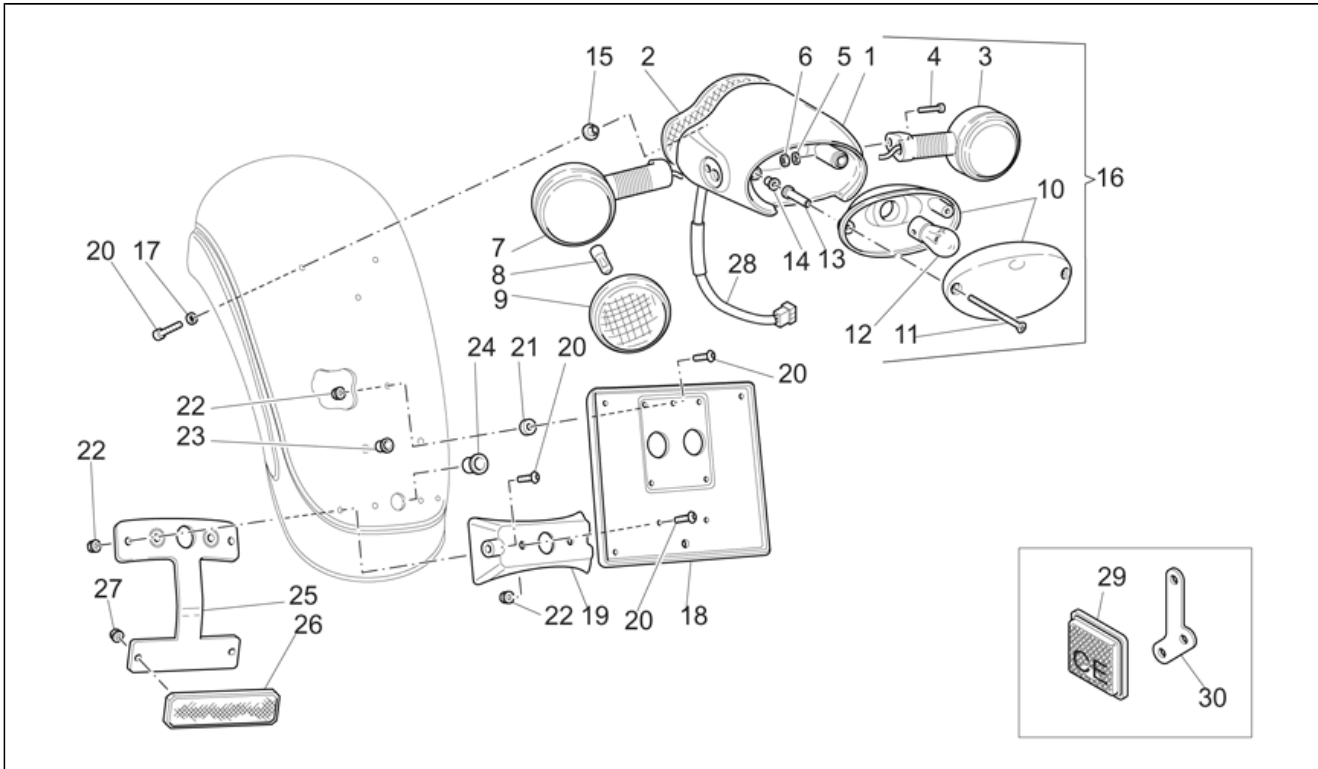
Pos.	Code	Description	Q.ty	Variants
25	GU01744200	Clamp	2	

Assembly	FRAME
Code	33.40
Description	Rear lights
Revision	1



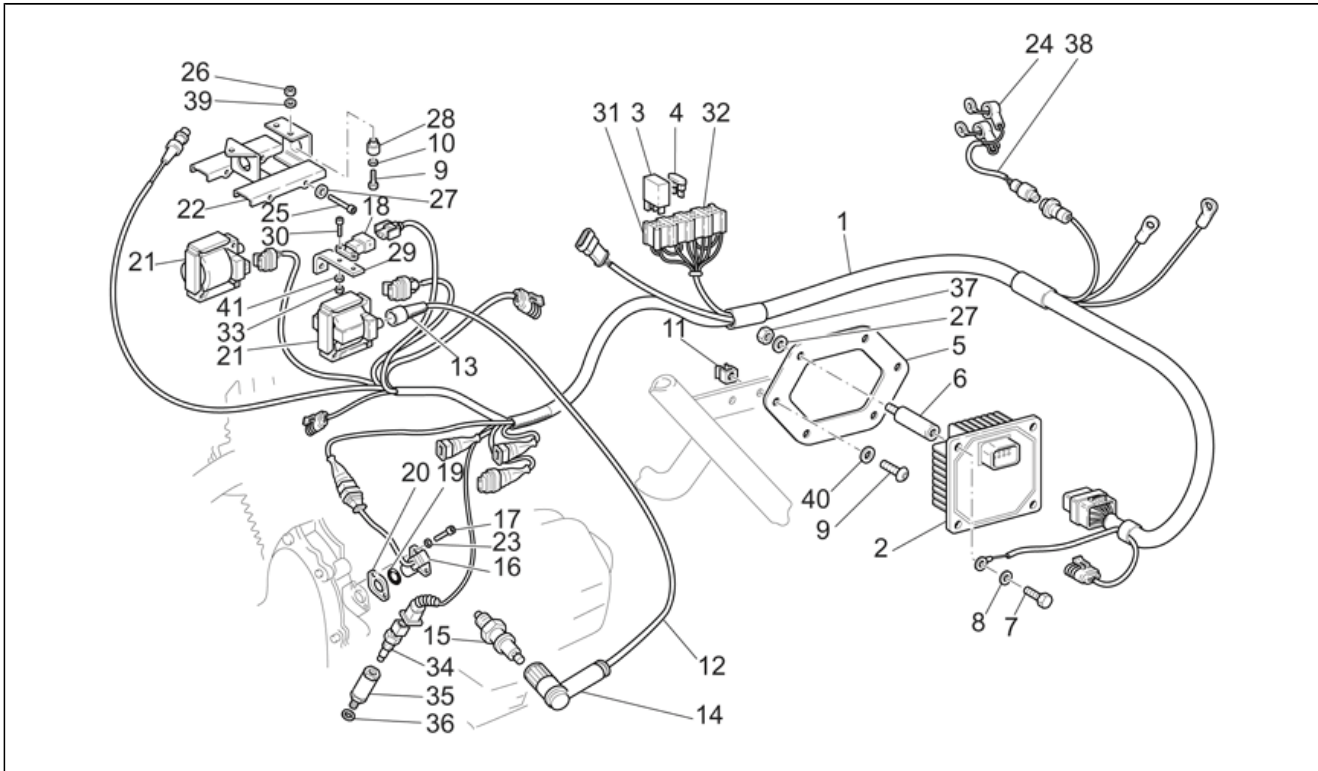
Pos.	Code	Description	Q.ty	Variants
1	GU03475830	Headlight holder blank	1	
1	GU03475866	Headlight holder steel	1	Technical Specifications: Aluminium version 2003[AL]
1	GU03475867	Support titanium	1	Technical Specifications: Titanium version 2003[TI]
2	GU03475931	Support rubber part	1	
3	GU03751630	LH front/RH rear turn indic.	1	
4	GU98682320	Hex socket screw M6x20	2	
5	GU95001206	Washer	2	
6	GU92660600	Nut	2	
7	GU03751631	RH front/LH rear turn indic.	1	
8	GU93450127	Lamp 12V-10W	1	
9	GU31753765	Turn indicator lens	2	
10	GU03740930	Taillight	1	
11	GU98620150	Screw	2	
12	GU93450224	Lamp 12V/5-21W	2	
13	GU03741230	Bush	2	
14	GU93231604	Antivibration bush M4x7,9x12,7	2	
15	GU03742030	Bush	3	
16	GU03758467	Taillight steel	1	Technical Specifications: Aluminium version 2003[AL]
16	GU03758468	Taillight titanium	1	Technical Specifications: Titanium version 2003[TI]
17	GU95008205	Washer 5,3x10x0,8	3	
18	GU01474630	Number plate holder	1	
19	GU03474530	Number plate holder support	1	
20	GU98370515	Screw M5x14	8	
21	GU93110060	Rubber spacer	1	
22	GU92650035	Flanged nut M5	5	
23	GU03438830	Plug	2	
24	GU03438831	Plug	1	
25	GU03475330	Support	1	

Assembly	FRAME
Code	33.40
Description	Rear lights
Revision	1



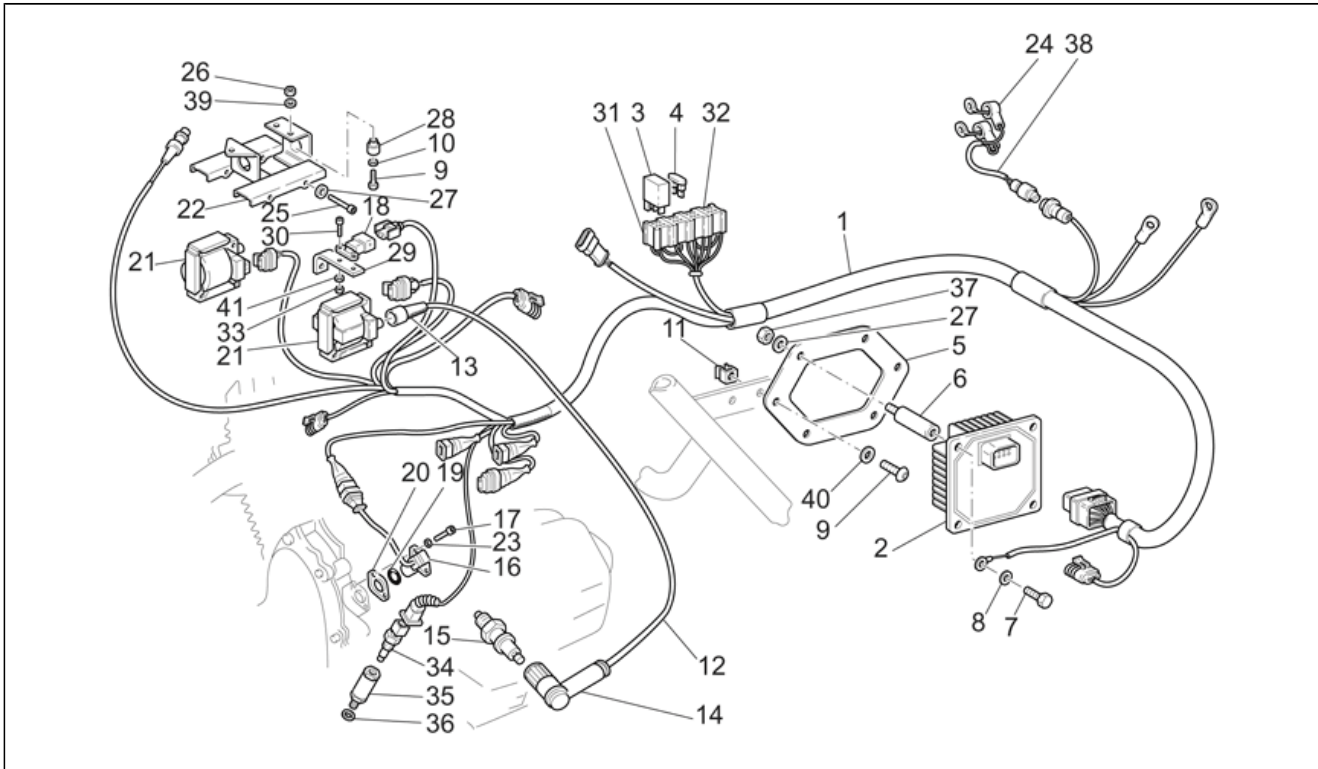
Pos.	Code	Description	Q.ty	Variants
26	GU31745865	Reflector	1	
27	GU92650034	Nut	2	
28	GU03753170	Taillight wiring harn.	1	
29	GU14781570	Rear reflector, red	2	Country: United States of America[USA]
30	GU14781870	Reflector support	2	Country: United States of America[USA]

Assembly	FRAME
Code	33.44
Description	Electrical systeme
Revision	1



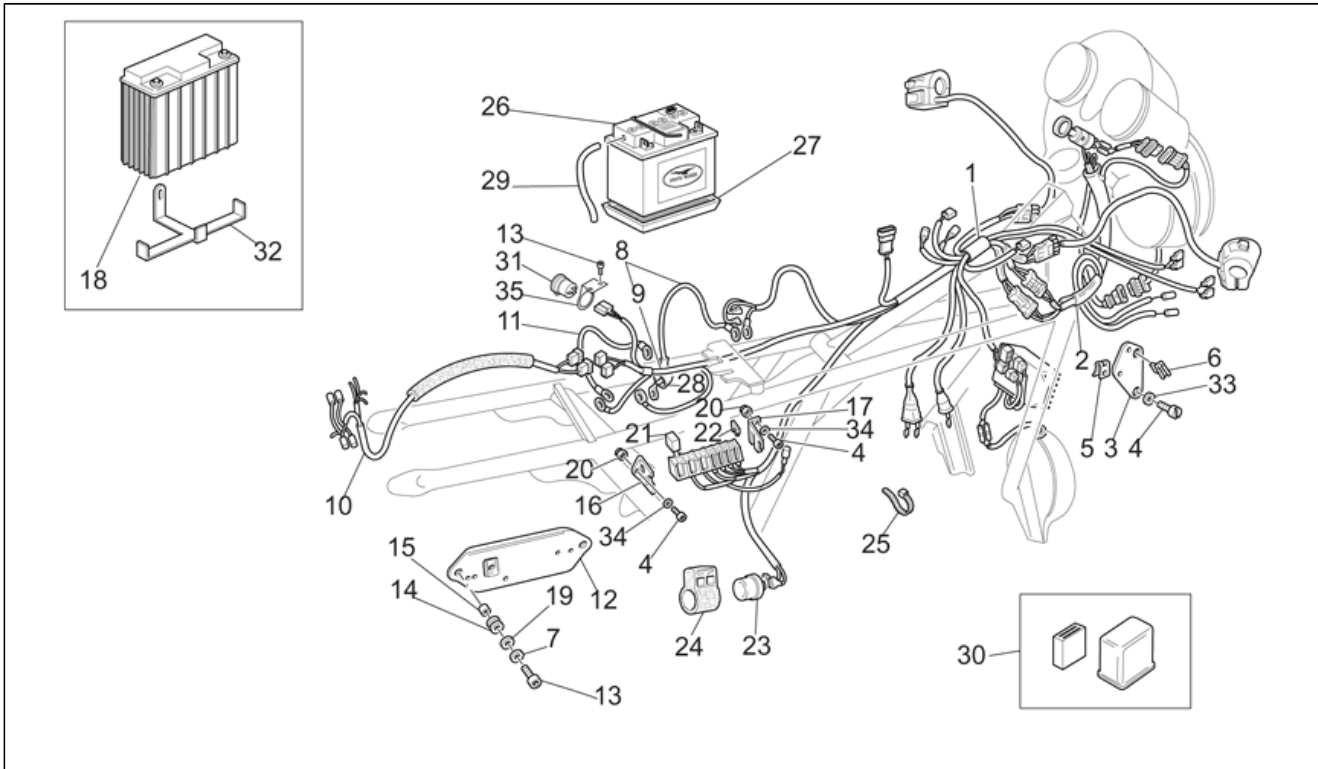
Pos.	Code	Description	Q.ty	Variants
1	GU03725875	Injection wiring	1	
2	GU03729555	CDI unit assy	1	Technical Specifications: Catalytic version[CAT]
2	GU03729565	CDI unit assy	1	Country: United States of America[USA] Technical Specifications: NO catalytic version[NOCAT]
3	GU01732530	Relay Siemens A302B1005	2	
4	GU28742558	Fuse 5A	1	
4	GU28742559	Fuse 10A	1	
5	GU03729230	Plate	1	
6	GU93221330	Block	4	
7	GU98084110	Hex screw M4X10	4	
8	GU95008304	Washer	4	
9	GU98682310	Hex socket screw M6x10	5	
10	GU95100141	Washer 6,4x12x1,2	6	
11	GU92660601	Captive nut	2	
12	GU03718350	HT wire	2	
13	GU14717600	Cap	2	
14	GU03717450	Sparkplug cap	2	
15	GU30717061	Spark plug NGK BPR6ES	2	
16	GU01721600	Phase/revolution sensor	1	
17	GU98682212	Hex socket screw M5x12	2	
18	GU30729330	Air temp. Sensor	1	
19	GU90706141	O-ring	1	
20	GU01722700	Gasket 0,3mm	2	
20	GU01722701	Gasket 0,4 mm	2	
20	GU01722702	Gasket 0,6mm	2	
20	GU01722703	Gasket	2	
20	GU01722704	Gasket 1mm	2	
20	GU01722705	Gasket 1,5mm	2	

Assembly	FRAME
Code	33.44
Description	Electrical systeme
Revision	1



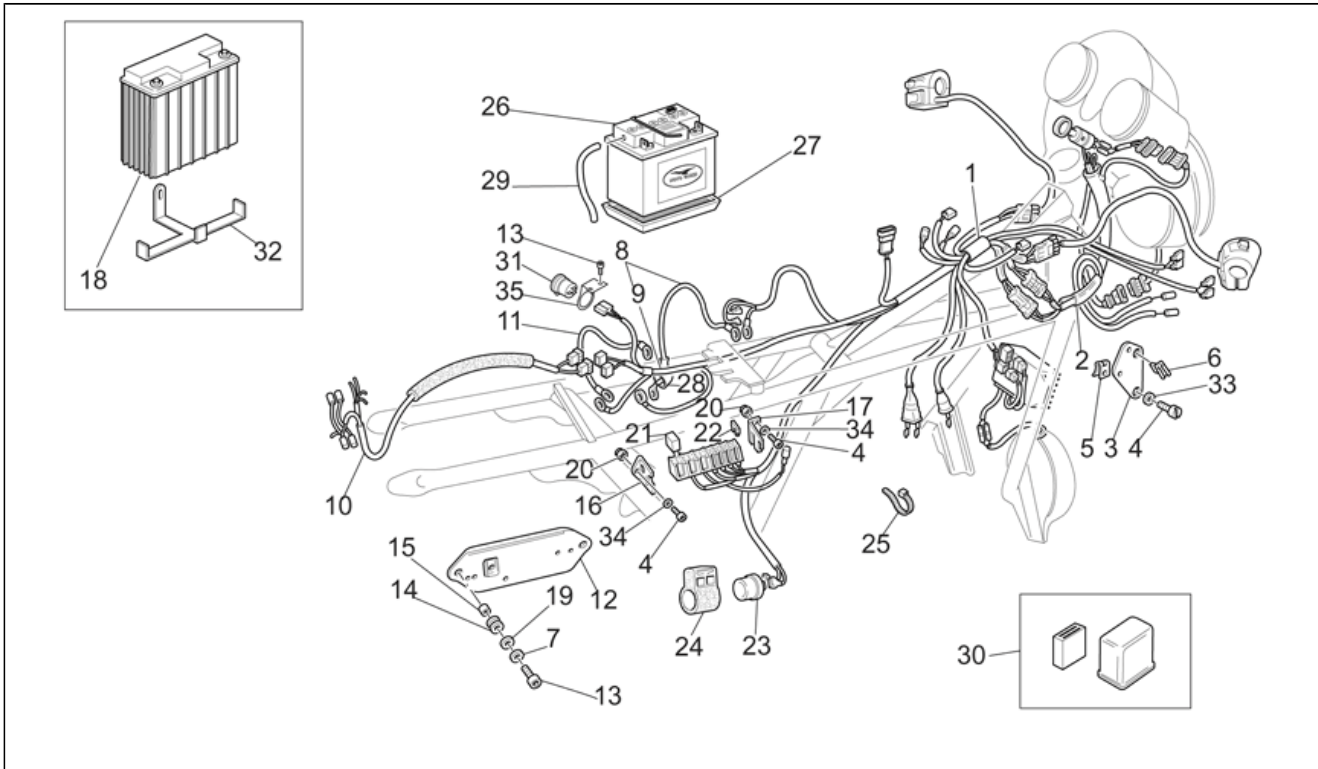
Pos.	Code	Description	Q.ty	Variants
20	GU29722760	Gasket 0,5 mm	1	
21	GU30716500	HT coil	2	
22	GU03716770	Coil holder	1	
23	GU95008205	Washer 5,3x10x0,8	2	
24	GU30759600	Cap	2	
25	GU98682125	Hex socket screw M4X25	4	
26	GU92606206	Nut	3	
27	GU95021204	Washer	8	
28	GU93222023	Silent-block	3	
29	GU30728230	Sensor support	1	
30	GU98680110	Hex socket screw M3x10	2	
31	GU30732200	Fuse holder box	1	
32	GU30732400	Relais support	2	
33	GU92606003	Nut M3	2	
34	GU29729461	Oil temperature sensor	1	
35	GU03163330	Sensor support	1	
36	GU95008210	Washer 10,2X18X2	4	
37	GU92630204	Nut	4	
38	GU03738500	Fuel pump wiring	1	
39	GU95008306	Washer 6,4x12x1,2	3	
40	GU03013800	Washer 6,4x12	2	
41	GU95120033	Washer 3,2x5,8x0,8	2	

Assembly	FRAME
Code	33.45
Description	Electrical system
Revision	1



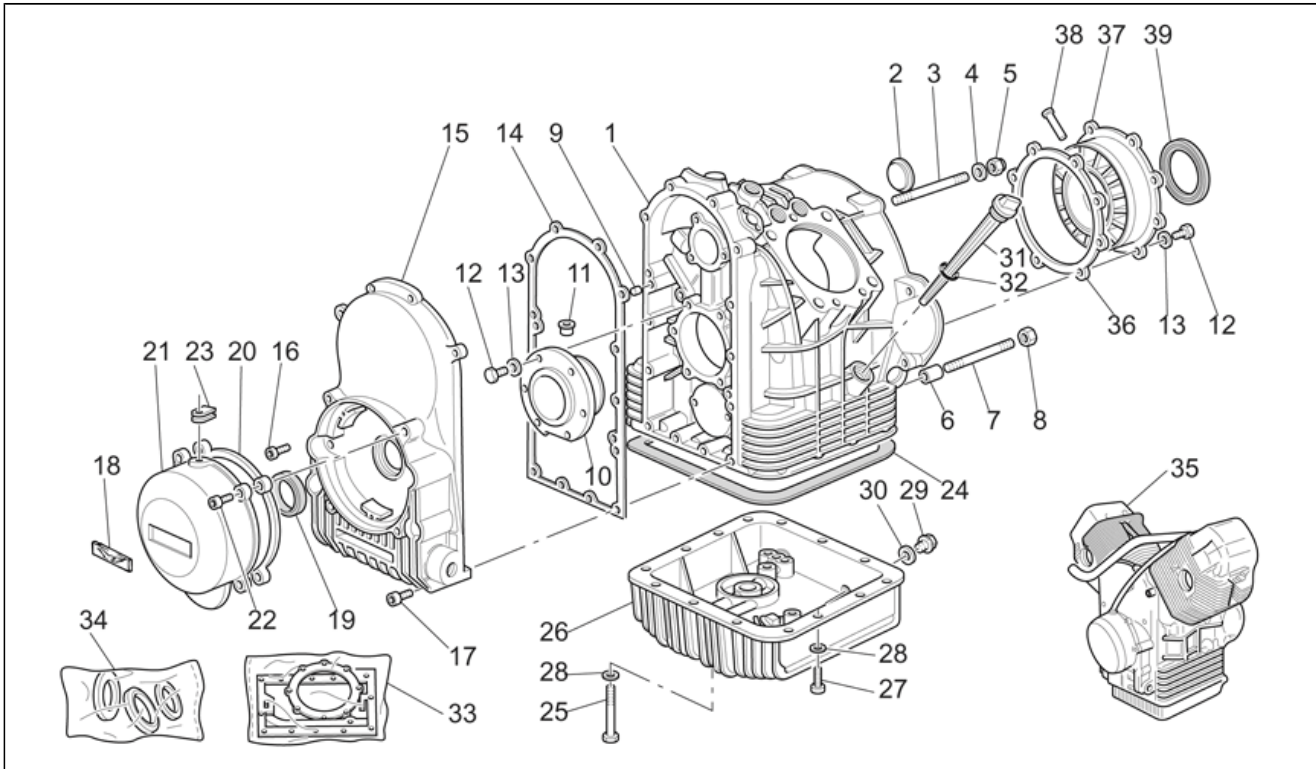
Pos.	Code	Description	Q.ty	Variants
1	GU03747155	Main wiring harness	1	
2	GU03747270	Dashboard cable	1	
3	GU30749760	Plate	1	
4	GU98682310	Hex socket screw M6x10	4	
5	GU28576590	Clip	2	
6	GU30922260	Clip	4	
7	GU03013800	Washer 6,4x12	8	
8	GU03748440	Wire	1	
9	GU03707140	Cap	1	
10	GU03753170	Taillight wiring harn.	1	
11	GU02747901	Ground-battery lead	1	
12	GU03746370	Plate	1	
13	GU98682318	Hex socket screw	4	
14	GU91551080	Rubber spacer	2	
15	GU91180607	Spacer	2	
16	GU30477101	RH clamp	1	
17	GU30477200	LH plate	1	
18	GU03704550	Battery 12V-16Ah	1	Country: United States of America[USA]
18	GU03704570	Battery 12V-18Ah	1	Country: Australia[AUS], Other country[EU], Japan[J], New Zealand[NZ], Great Britain[UK] Technical Specifications: 2nd Serie[2A]
19	GU95100118	Washer 6,2X18X1	3	
20	GU92630707	Nut	2	
21	GU01732530	Relay Siemens A302B1005	1	
21	GU30732560	Relay Siemens A302/B1008	2	
22	GU28742558	Fuse 5A	1	
22	GU28742560	Fuse 15A	1	
22	GU28742561	Fuse 20A	1	

Assembly	FRAME
Code	33.45
Description	Electrical system
Revision	1



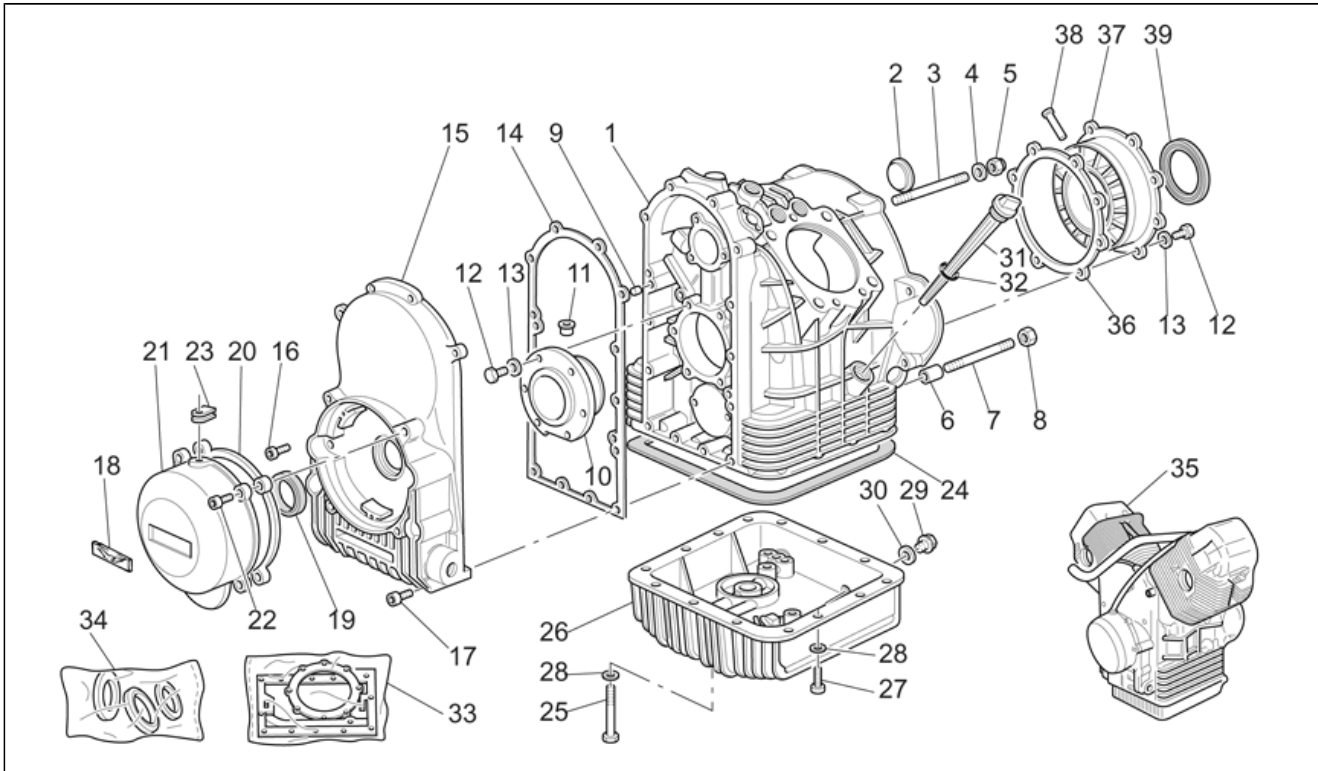
Pos.	Code	Description	Q.ty	Variants
22	GU28742562	Fuse 30A	1	
25	GU14609650	Hose clamp 3,6x20,6	56	
25	GU49609601	Hose clamp 2,4x92	6	
26	GU03704540	Battery Exide 12V-30Ah	1	Country: Australia[AUS], Other country[EU], Japan[J], New Zeland[NZ], Great Britain[UK] Technical Specifications: 1st Serie[1A]
27	GU28707050	Battery holder	1	Country: Australia[AUS], Other country[EU], Japan[J], New Zeland[NZ], Great Britain[UK] Technical Specifications: 1st Serie[1A]
28	GU30759600	Cap	2	
29	GU00823944050	Pipe 5X9	1	Country: Australia[AUS], Other country[EU], Japan[J], New Zeland[NZ], Great Britain[UK] Technical Specifications: 1st Serie[1A]
30	AP8124235	Flasher unit 12V 10+10W	1	Country: Other country[EU], Japan[J], New Zeland[NZ], Great Britain[UK], United States of America[USA] Technical Specifications: 2nd Serie[2A]
30	AP8127286	Flasher unit	1	Country: Australia[AUS]
33	GU14615901	Washer 8,4X13X0,8	2	
34	GU95008206	Washer 6,15x11x0,8	2	
35	GU03785470	Plate	1	

Assembly	ENGINE
Code	34.01
Description	Crank-case
Revision	1



Pos.	Code	Description	Q.ty	Variants
1	GU03000755	Crankcase black	1	Technical Specifications: Up to engine number KN 15086[M1]
1	GU03000756	Crankcase black	1	Technical Specifications: From engine number KN 15087[M2]
2	GU12003900	Disc	1	
3	GU96508066	Stud bolt M8X66	4	
4	GU95005308	Washer 8,4x14,57x1,6	6	
5	GU92787008	Cap nut M8x1,25	2	
6	GU12018900	Coupling bush	2	
7	GU96508075	Stud bolt M8x75	2	
8	GU92606208	Nut M8x1,25	4	
9	GU95512081	Pin	2	
10	GU14011900	Complete flange	1	
10	GU14011901	Flange min.0,2 mm	1	
11	GU12012200	Pin	1	
12	GU98084425	Hex screw M8x25	14	
13	GU03270300	Washer 8,4x15	14	
14	GU12001200	Cover gasket	1	
15	GU03001461	Timing cover black	1	
16	GU98682325	Hex socket screw M6x25	22	
17	GU98680335	Hex socket screw M6x35	6	
18	GU02517700	Adhesive label	1	
19	GU90402840	Gasket ring 28x38x7	1	
20	GU18001150	Flange	1	
21	GU01001630	Alternator cover grey	1	
22	GU98310631	Screw	4	
23	GU19007700	Rubber spacer	1	
24	GU14003600	Sump gasket	1	

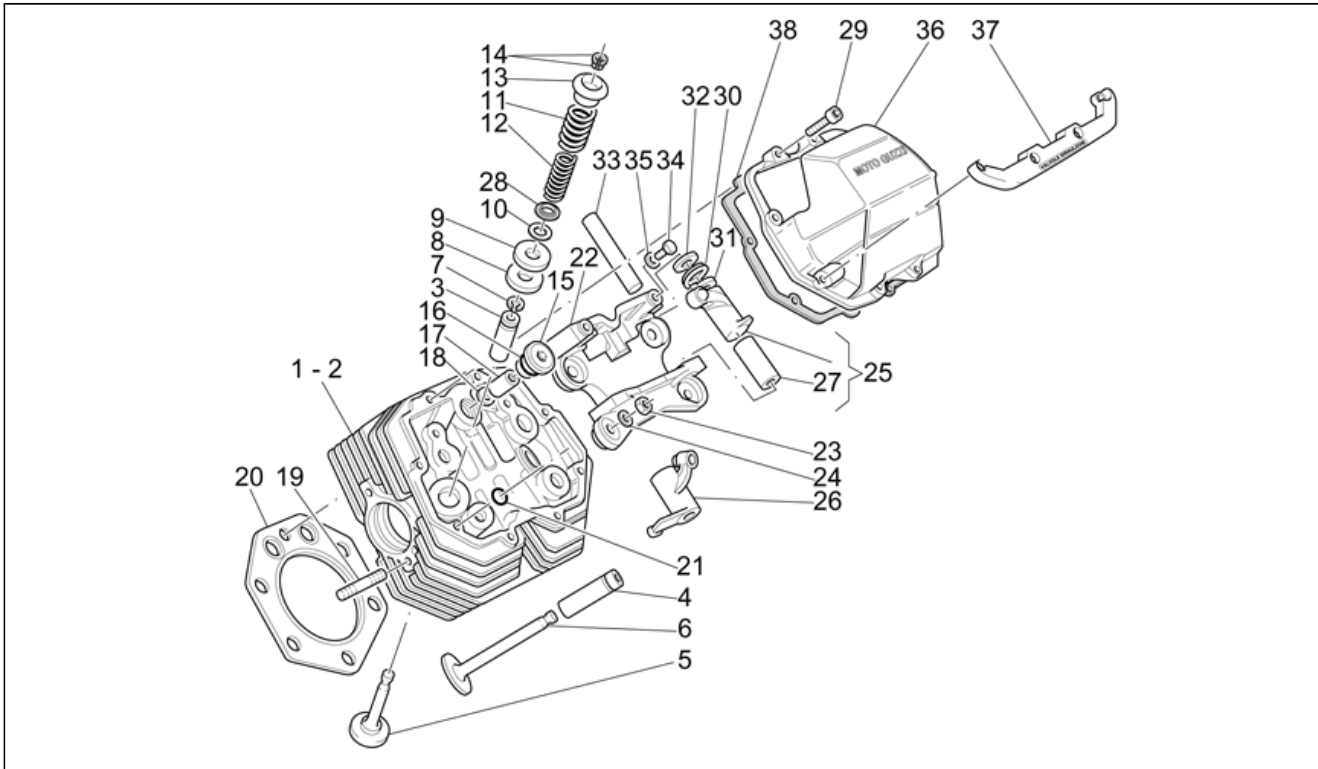
Assembly	ENGINE
Code	34.01
Description	Crank-case
Revision	1



Pos.	Code	Description	Q.ty	Variants
25	GU98082390	Screw	4	
26	GU03003555	Oil sump black	1	
27	GU98682325	Hex socket screw M6x25	14	
28	GU95008206	Washer 6,15x11x0,8	18	
29	GU12003702	Oil unload plug	1	
30	GU95100709	Gasket 20,1x28x2	1	
31	GU30004910	Oil plug	1	
32	GU90706178	O-ring 17,86X2,62	1	
33	GU30999060	Gaskets set	1	
34	GU17999550	Engine oil seal kit	1	
35	GU03991067	Engine black	1	Technical Specifications: Aluminium version 2003[AL]
35	GU03991068	Engine black	1	Technical Specifications: Titanium version 2003[TI]
36	GU12011800	Gasket	1	
37	GU12011400	Complete flange	1	
37	GU12011401	Flange min.0,2 mm	1	
37	GU12011402	Flange min.0,4 mm	1	
37	GU12011403	Flange min.0,6 mm	1	
38	GU12011700	Pin	1	
39	GU90405367	Gasket ring	1	

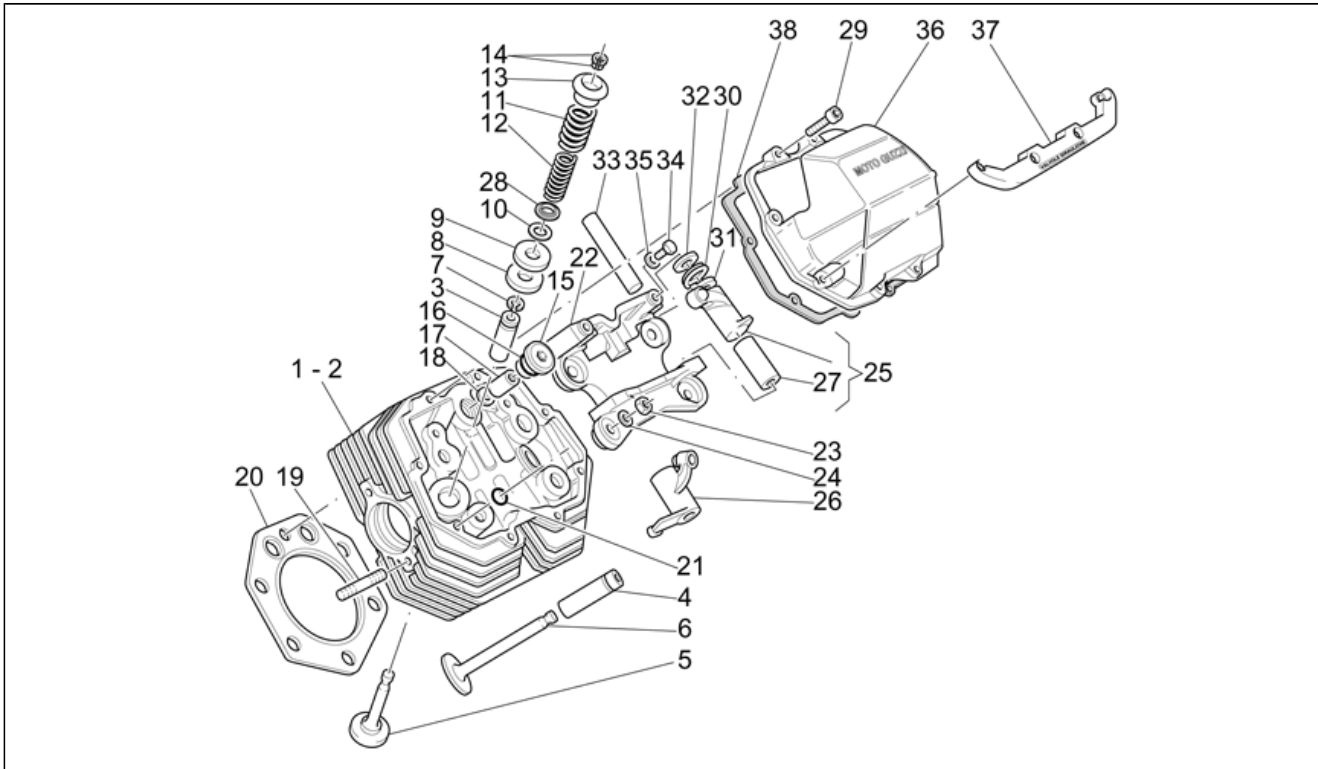


Assembly	ENGINE
Code	34.02
Description	Heads
Revision	1



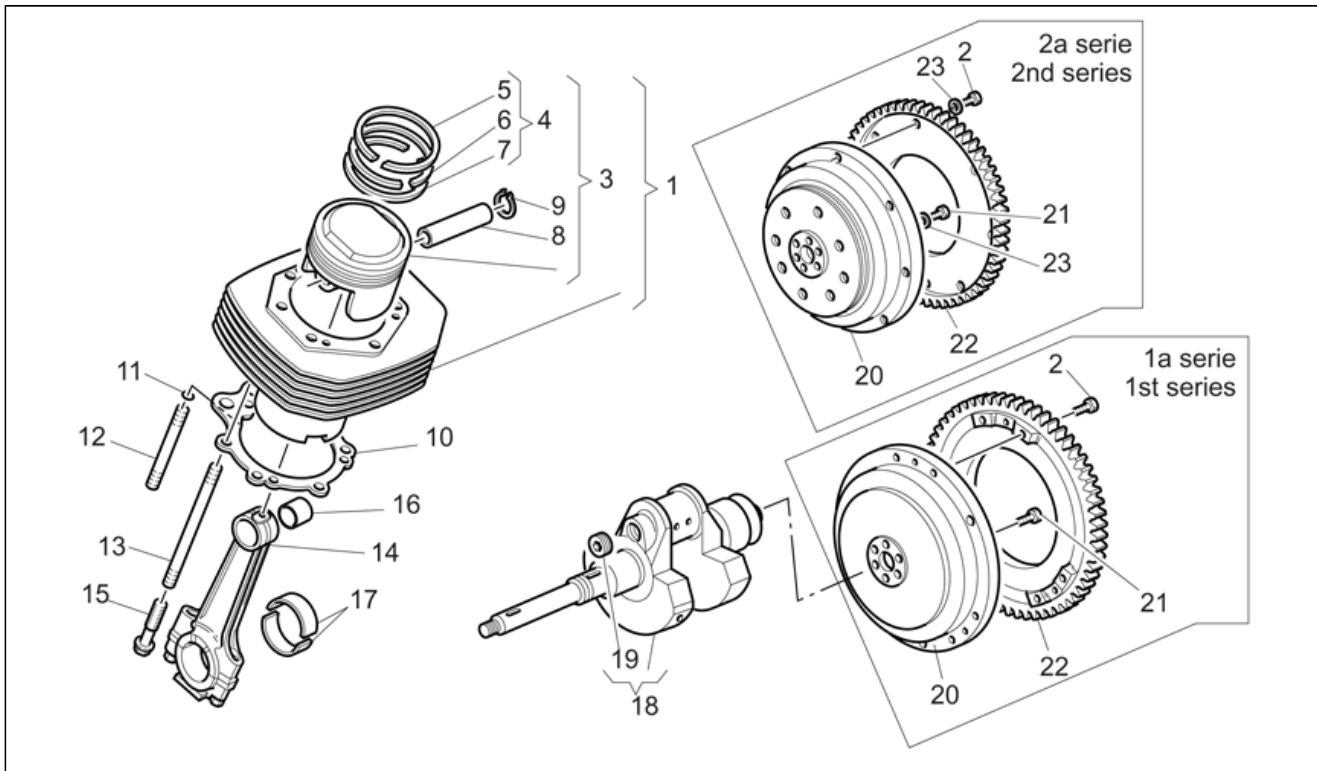
Pos.	Code	Description	Q.ty	Variants
1	GU03022130	RH head assy w/h valve grey	1	
2	GU30022260	LH head assy without valve grey	1	
3	GU13036801	Exhaust valve guide	2	
4	GU14036860	Intake valve guide	2	
5	GU03036100	Exhaust valve	2	
6	GU03036000	Intake valve	2	
7	GU90353016	Snap ring	4	
8	GU13037200	Washer 14,2x31x1	4	
9	GU14037300	Washer 14,2x31x0,3	10	
10	GU01038730	Washer plate	4	
11	GU37037405	Outer spring	4	
12	GU37037605	Inner spring	4	
13	GU37038005	Upper cup	4	
14	GU12038100	Valve half-cone	8	
15	GU12022600	Oil plug	2	
16	GU90706203	O-ring 20,24X2,62	2	
17	GU13021900	Column nut	2	
18	GU95129180	Washer 10,5X18X0,8	2	
19	GU96508040	Stud bolt	4	
20	GU30022060	Gasket	2	
21	GU90706094	O-ring 9x2	8	
22	GU14034865	Rocker arm support	2	
23	GU92603010	Nut M10X1,5	10	
24	GU14018400	Washer 10,5X21X1	10	
25	GU03030230	RH rocker arm assy	2	
26	GU03030430	LH rocker arm assy	2	
27	GU91111511	Bush 15x18x43	4	
28	GU01037030	Lower cup 14,2x32x5	2	

Assembly	ENGINE
Code	34.02
Description	Heads
Revision	1



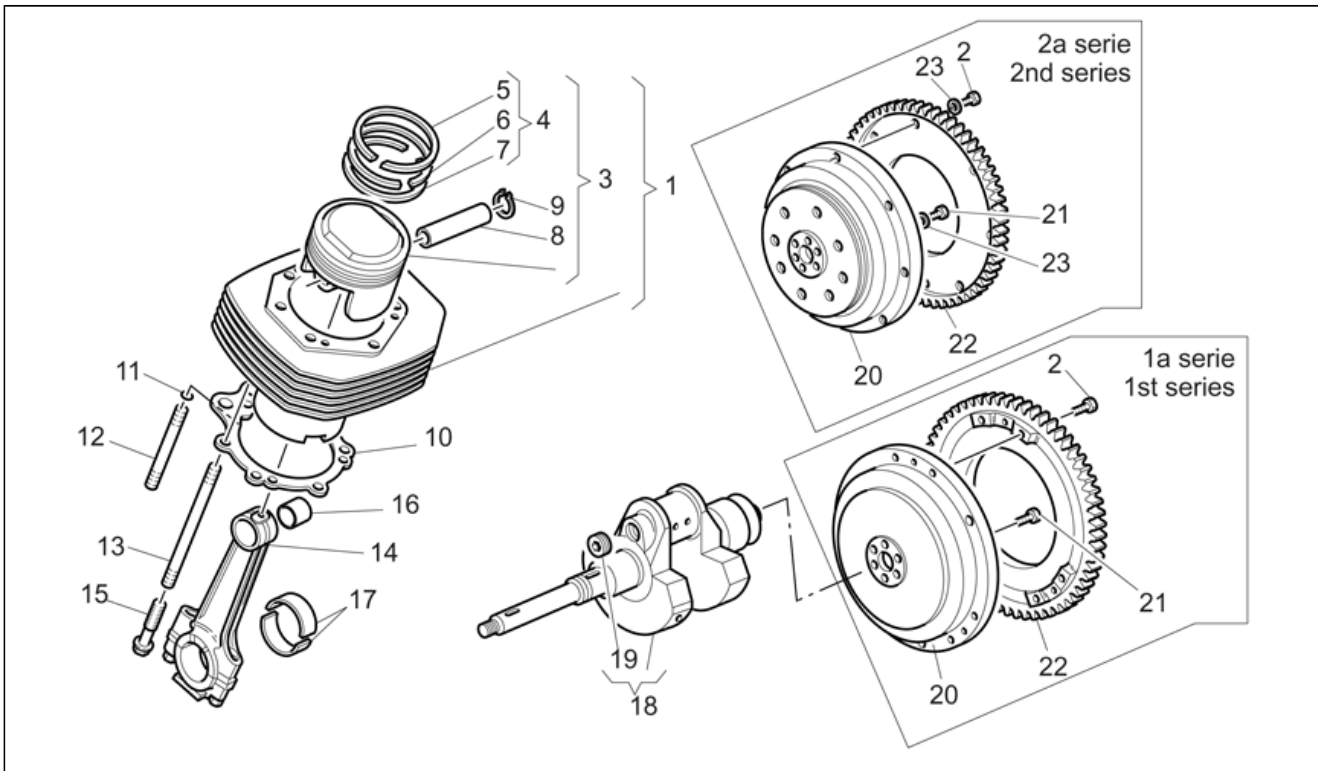
Pos.	Code	Description	Q.ty	Variants
29	GU98692325	Hex socket screw M6x25	16	
30	GU94322215	Spring	4	
31	GU90118152	Washer 15,2x26x1	8	
32	GU10032700	Washer 15,2x26x0,5	4	
33	GU12031800	Rocker shaft	4	
34	GU98084316	Hex screw	4	
35	GU95120065	Washer 6,5x11x2	4	
36	GU01023560	RH/LH head cover grey	2	Technical Specifications: Titanium version 2003[TI]
36	GU03023565	RH/LH head cover gold	2	Technical Specifications: Aluminium version 2003[AL]
37	GU03941065	Spark plug guard grey	2	
38	GU14023760	Cover gasket	2	

Assembly	ENGINE
Code	34.03
Description	Crankshaft - Piston
Revision	1



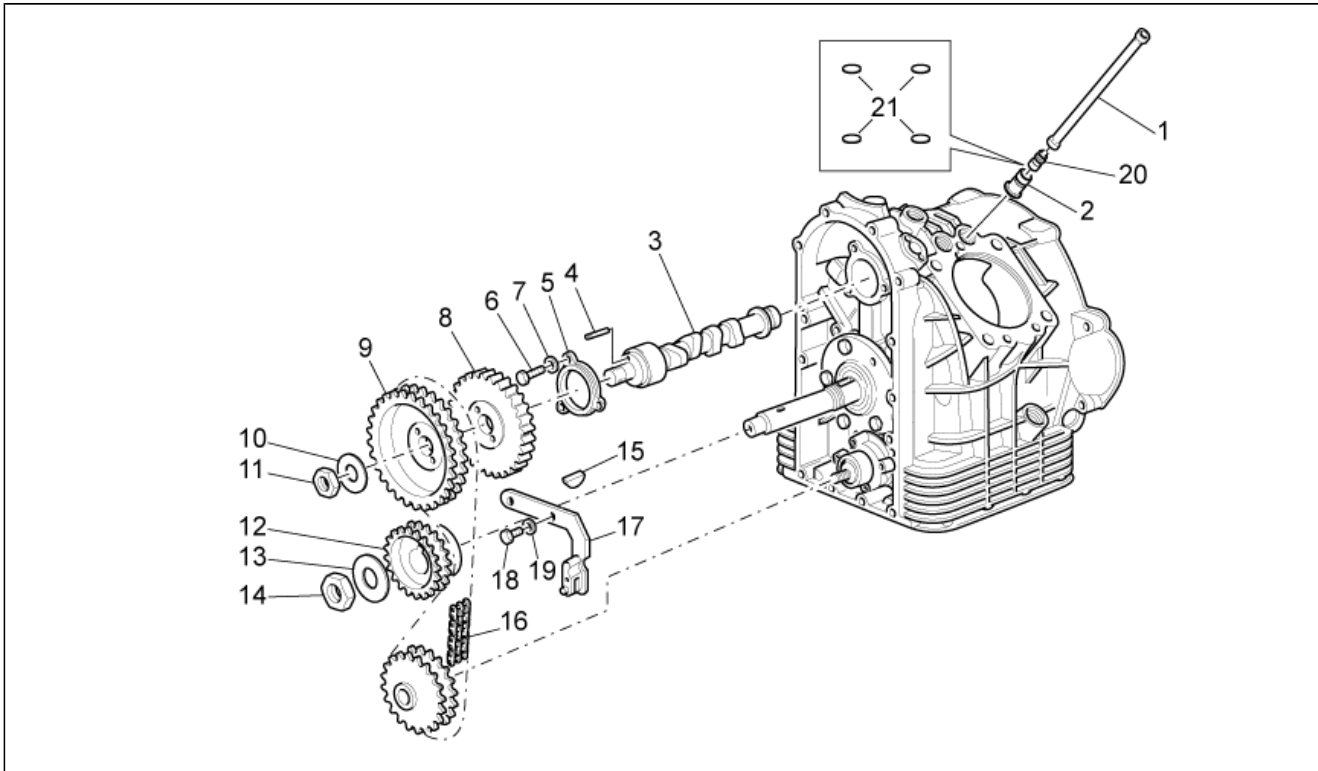
Pos.	Code	Description	Q.ty	Variants
1	GU03060132	Cylinder with piston	2	
2	GU98082535	Screw	8	Technical Specifications: 1st Serie[1A], Up to engine number KN 14809[M3]
2	GU98084420	Screw M8x20	8	Technical Specifications: 2nd Serie[2A], From engine number KN 14810[M4]
3	GU03060230	Piston assy	2	
4	GU30060660	Pistonring set	2	
5	GU30060760	Piston ring	2	
6	GU30060960	Piston ring	2	
7	GU30061060	Piston ring	2	
8	GU30061241	Piston pin	2	
9	GU90351038	Stop ring	4	
10	GU14020865	Gasket	2	
11	GU90706094	O-ring 9x2	4	
12	GU12021800	Stud bolt	4	
13	GU12021700	Stud bolt	8	
14	GU01061532	Connecting rod cpl.	2	
15	GU01062230	Connecting rod screw	4	
16	GU91112128	Bush	2	
17	GU01062030	Bearing half-shell	4	
17	GU01062031	Bearing half-shell min.0,254	4	
17	GU01062032	Bearing half-shell min.0,508	4	
17	GU01062033	Bearing half-shell min.0,762	4	
18	GU37064106	Crankshaft cpl.	1	
19	GU37065405	Plug	1	
20	GU03067030	Flywheel cpl.	1	Technical Specifications: 2nd Serie[2A], From engine number KN 14810[M4]
20	GU03067055	Flywheel cpl.	1	Technical Specifications: 1st Serie[1A], Up to engine number KN 14809[M3]

Assembly	ENGINE
Code	34.03
Description	Crankshaft - Piston
Revision	1



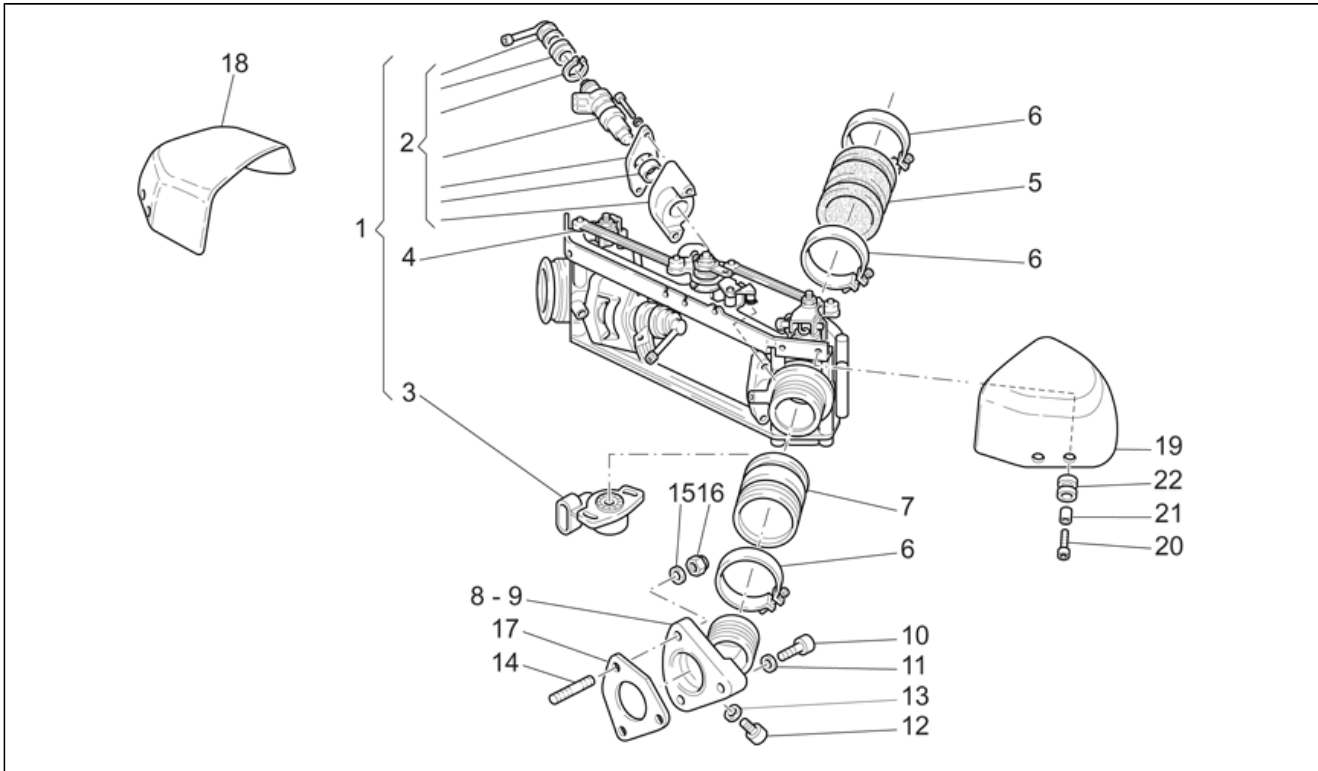
Pos.	Code	Description	Q.ty	Variants
21	GU03067730	Screw M8x25	6	Technical Specifications: 1st Serie[1A], Up to engine number KN 14809[M3]
21	GU12067701	Screw	6	Technical Specifications: 2nd Serie[2A], From engine number KN 14810[M4]
22	GU03068055	Chain ring	1	Technical Specifications: 1st Serie[1A], Up to engine number KN 14809[M3]
22	GU17067900	Chain ring	1	Technical Specifications: 2nd Serie[2A], From engine number KN 14810[M4]
23	GU14615901	Washer 8,4X13X0,8	14	Technical Specifications: 2nd Serie[2A], From engine number KN 14810[M4]

Assembly	ENGINE
Code	34.04
Description	Timing system
Revision	1



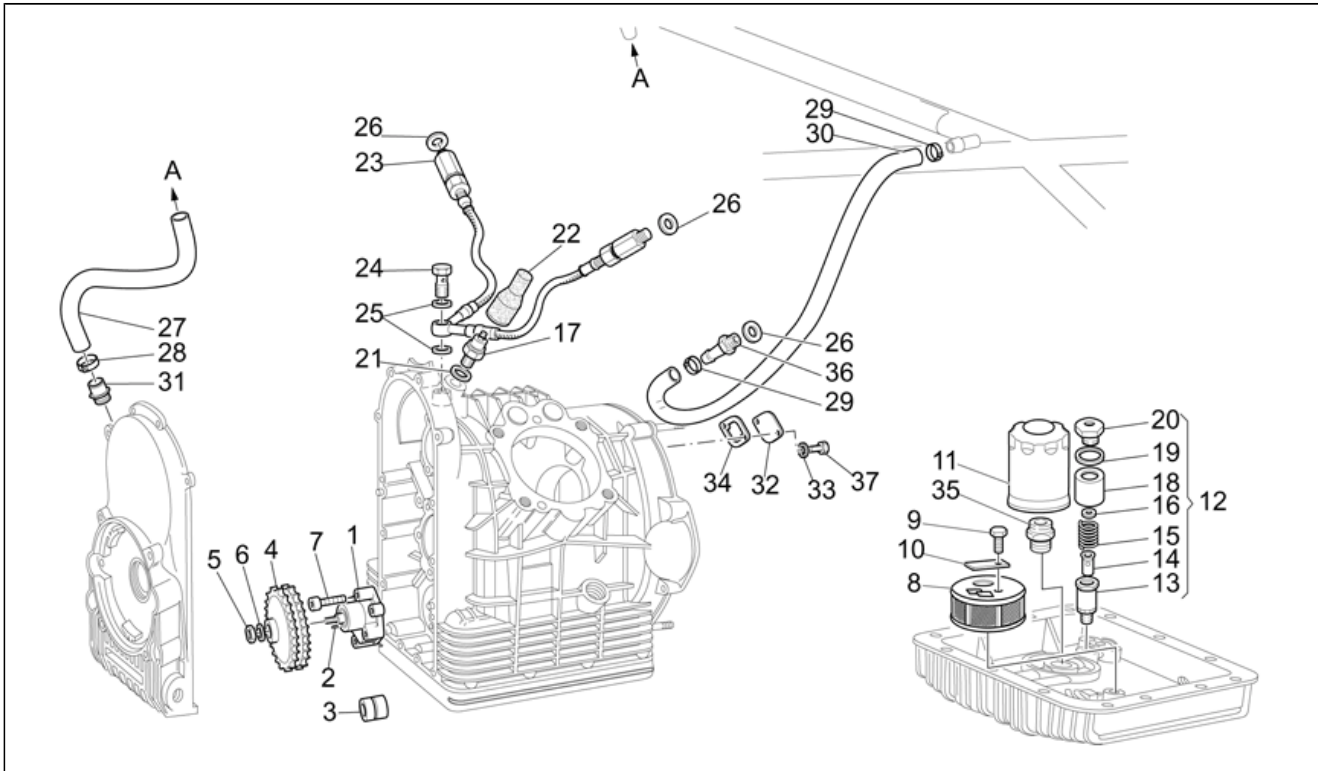
Pos.	Code	Description	Q.ty	Variants
1	GU03045030	Rod	4	
2	GU03045830	Tappet closing	4	
3	GU03053330	Camshaft	1	Technical Specifications: Up to engine number KN 15086[M1]
3	GU03053332	Camshaft	1	Technical Specifications: From engine number KN 15087[M2]
4	GU14234600	Pin	1	
5	GU01054000	Flange	1	
6	GU98084320	Hex screw M6x20	3	
7	GU95120065	Washer 6,5x11x2	3	
8	GU01051700	Wheel speed sensor, left front	1	
9	GU01054500	Timing system gear	1	
10	GU14433400	Spring washer 19x34x1,5	1	
11	GU92750180	Nut M18	1	
12	GU14072001	Pinion	1	
13	GU95100837	Washer 25,5x35x2	1	
14	GU92602525	Nut M25	1	
15	GU91702355	Transmission key	1	
16	GU28058060	Chain	1	
17	GU30057810	Chain tensioner	1	
18	GU98082435	Hex screw M8x35	2	
19	GU14615901	Washer 8,4X13X0,8	2	
20	GU03048230	Hydraulic tappet	4	
21	GU03048330	Calibrated tablet	4	

Assembly	ENGINE
Code	34.07
Description	Throttle body
Revision	1



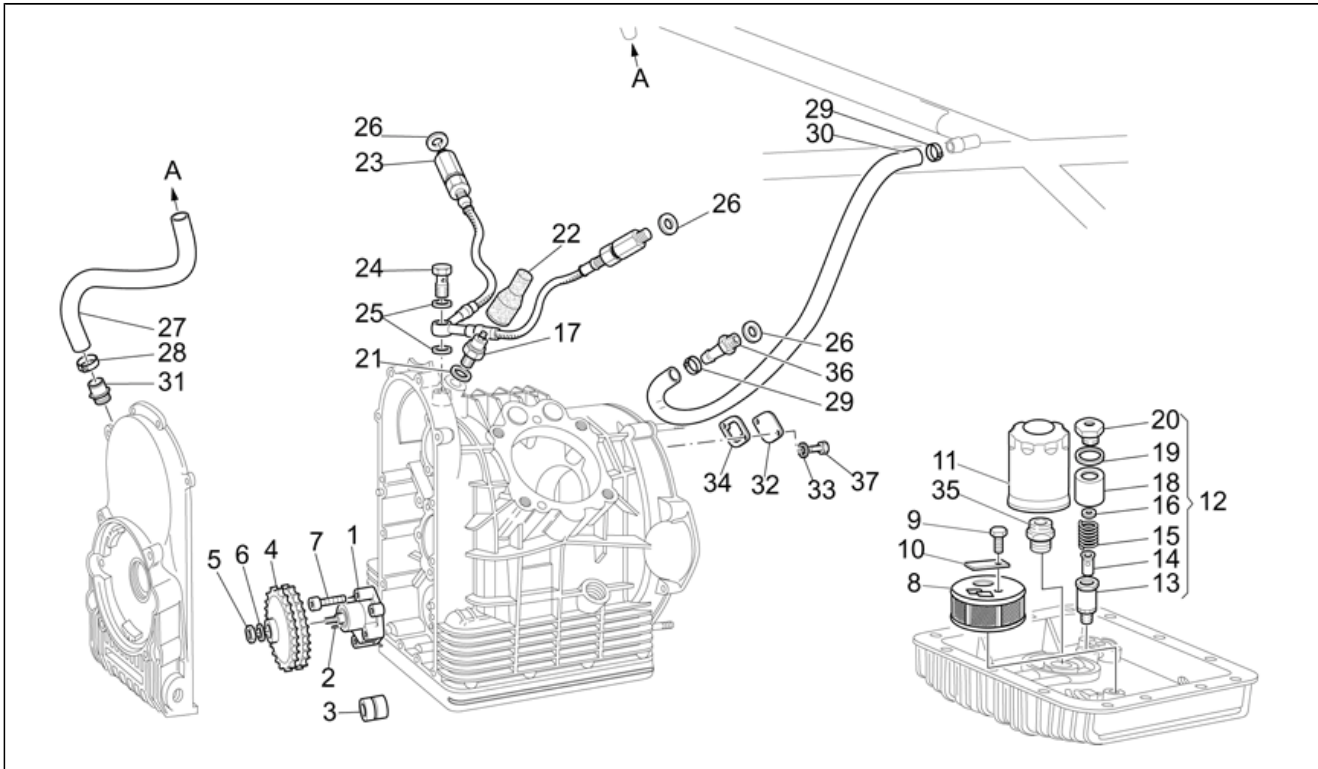
Pos.	Code	Description	Q.ty	Variants
1	GU03112560	Throttle assy	1	
2	GU01530504	Injector kit complete	2	
3	GU01530500	Potentiometer	1	
4	GU29530562	Tie rod	2	
5	GU30114470	Hose	2	
6	GU93305061	Hose clamp 61/65,5	8	
7	GU03114370	Hose	2	
8	GU30115070	RH manifold	1	
9	GU30115071	LH manifold	1	
10	GU98682325	Hex socket screw M6x25	2	
11	GU14217901	Washer 6,4x10x0,7	2	
12	GU98310609	Screw M6x10	2	
13	GU95100116	Washer 6,25x10x1,5	2	
14	GU96506039	Stud bolt	4	
15	GU95008206	Washer 6,15x11x0,8	4	
16	GU92787006	Cap nut M6x1	4	
17	GU28115560	Gasket	2	
18	GU03113365	RH cover matte gray	1	Technical Specifications: Aluminium version 2003[AL]
18	GU03113367	RH cover matte gray	1	Technical Specifications: Titanium version 2003[TI]
19	GU03113465	LH cover matte gray	1	Technical Specifications: Aluminium version 2003[AL]
19	GU03113467	LH cover matte gray	1	Technical Specifications: Titanium version 2003[TI]
20	GU97202112	Screw	4	
21	GU91180408	Spacer 4x6x8	4	
22	GU91551034	Rubber spacer	4	

Assembly	ENGINE
Code	34.10
Description	Supply - Oil pump
Revision	1



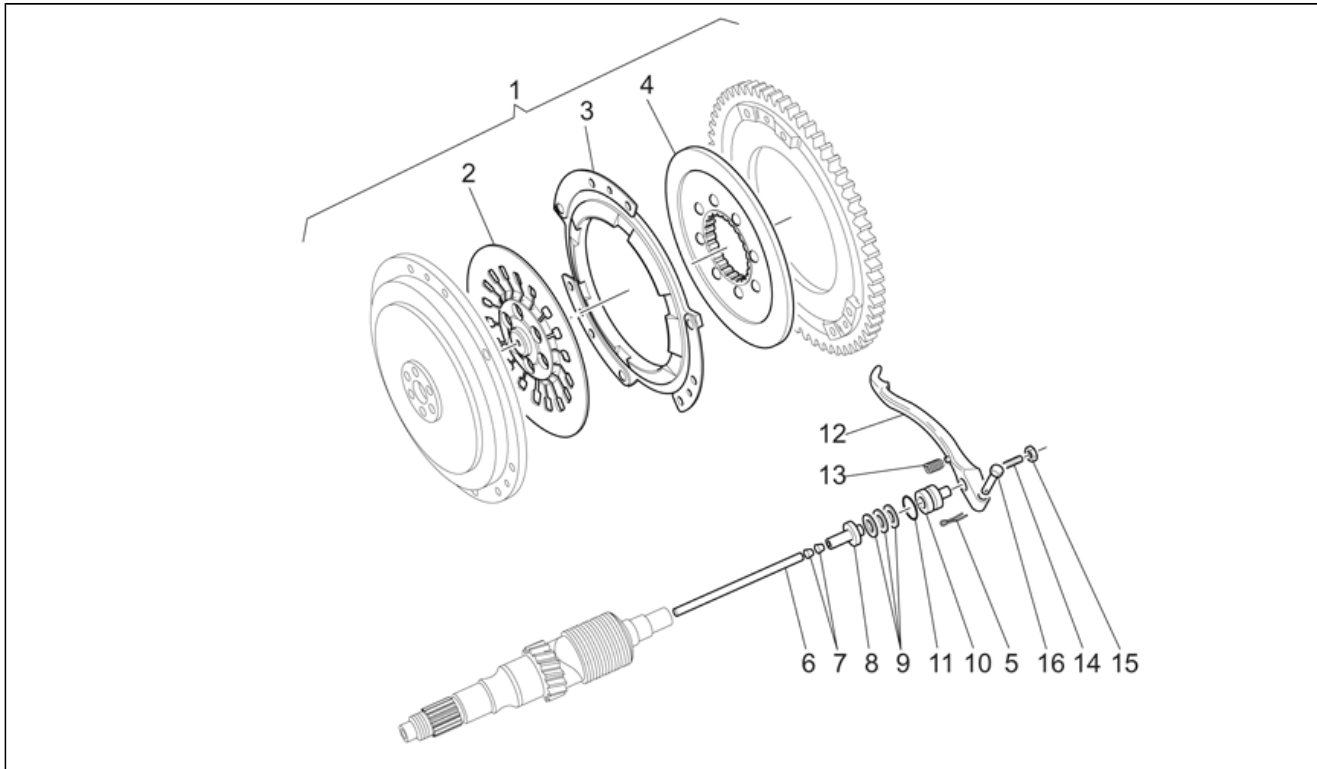
Pos.	Code	Description	Q.ty	Variants
1	GU30146400	Oil pump	1	
2	GU13148300	Transmission key	1	
3	GU92252210	Roller bearing 10x22x20	1	
4	GU30147700	Oil pump gear	1	
5	GU92606308	Nut M8	1	
6	GU95120085	Spring washer	1	
7	GU98682430	Hex socket screw M8x30	4	
8	GU14152200	Oil filter	1	
9	GU98084316	Hex screw	1	
10	GU95187006	Plate	1	
11	GU30153000	Oil filter	1	
12	GU03158200	Oil valve cpl.	1	
13	GU30158701	Valve body	1	
14	GU30150900	Piston	1	
15	GU94321079	Spring	1	
16	GU95008206	Washer 6,15x11x0,8	2	
17	GU17768750	Pressure sensor	1	
18	GU30158800	Cup	1	
19	GU18144350	Washer 18,25x24x1	2	
20	GU30159000	Plug	1	
21	GU12006400	Gasket 12,25	2	
22	GU12717600	Cap	1	
23	GU01153602	Pipe	1	
24	GU95990037	Screw	1	
25	GU12154200	Gasket 8,25x15x1	2	
26	GU25656102	Gasket	4	
27	GU03157460	Pipe	1	
28	GU28157850	Hose clamp	2	

Assembly	ENGINE
Code	34.10
Description	Supply - Oil pump
Revision	1



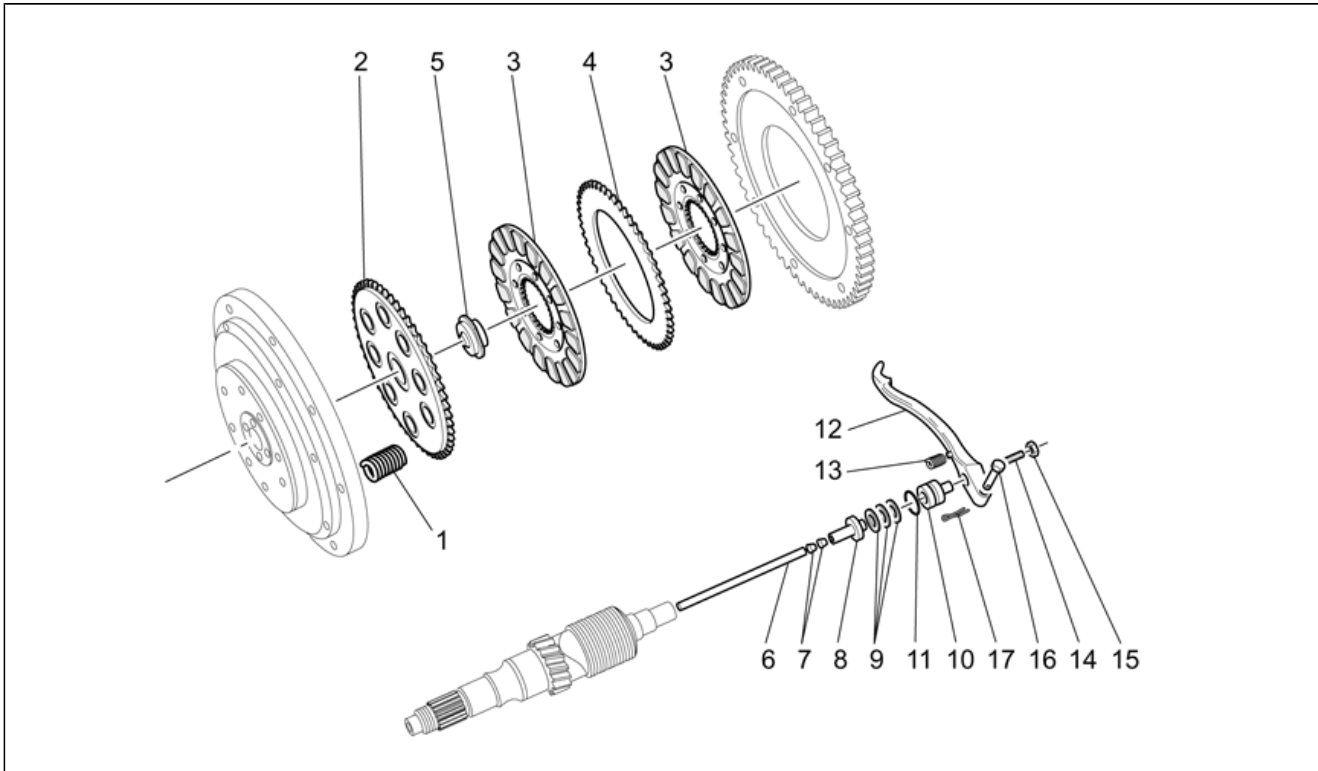
Pos.	Code	Description	Q.ty	Variants
29	GU28157950	Hose clip 12,5x8	4	
30	GU00823956080	Rubber pipe 12,5X7,8 5/16"	1	
31	GU03007260	Union	1	
32	GU03007360	Plate	1	
33	GU95120065	Washer 6,5x11x2	2	
34	GU12007600	Gasket	1	
35	GU30003800	Oil filter union	1	
36	GU28153960	Union	2	
37	GU98084320	Hex screw M6x20	2	

Assembly	ENGINE
Code	34.11
Description	Single-plate clutch 1st series
Revision	1



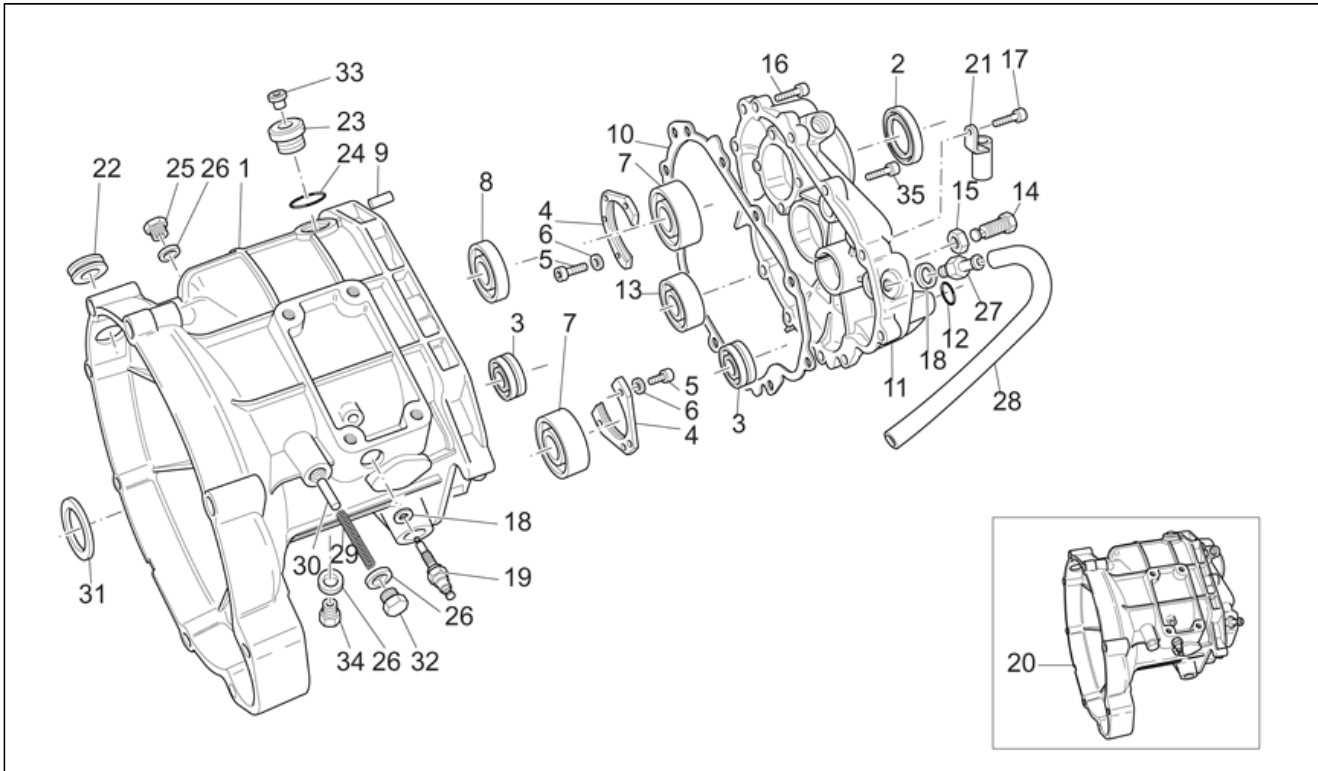
Pos.	Code	Description	Q.ty	Variants
1	GU03080155	Clutch cpl.	1	Technical Specifications: Up to engine number KN 14809[M3]
2	GU03084055	Belleville spring	1	Technical Specifications: Up to engine number KN 14809[M3]
3	GU03081955	Intermediate plate	1	Technical Specifications: Up to engine number KN 14809[M3]
4	GU03084455	Clutch disc	1	Technical Specifications: Up to engine number KN 14809[M3]
5	GU95500222	Split pin	1	
6	GU14085700	Rod	1	
7	GU14085900	Bush	2	
8	GU14086000	Inner body	1	
9	GU12087001	Thrust bearing	1	
10	GU14086100	Outer body	1	
11	GU90706170	O-ring 17,13x2,62	1	
12	GU14090202	Clutch relese shaft	1	
13	GU94321105	Lever return spring	1	
14	GU14090400	Adjuster screw	1	
15	GU92606508	Nut	1	
16	GU95780271	Pin 7x39	1	

Assembly	ENGINE
Code	34.12
Description	Double-plate clutch 2nd series
Revision	1



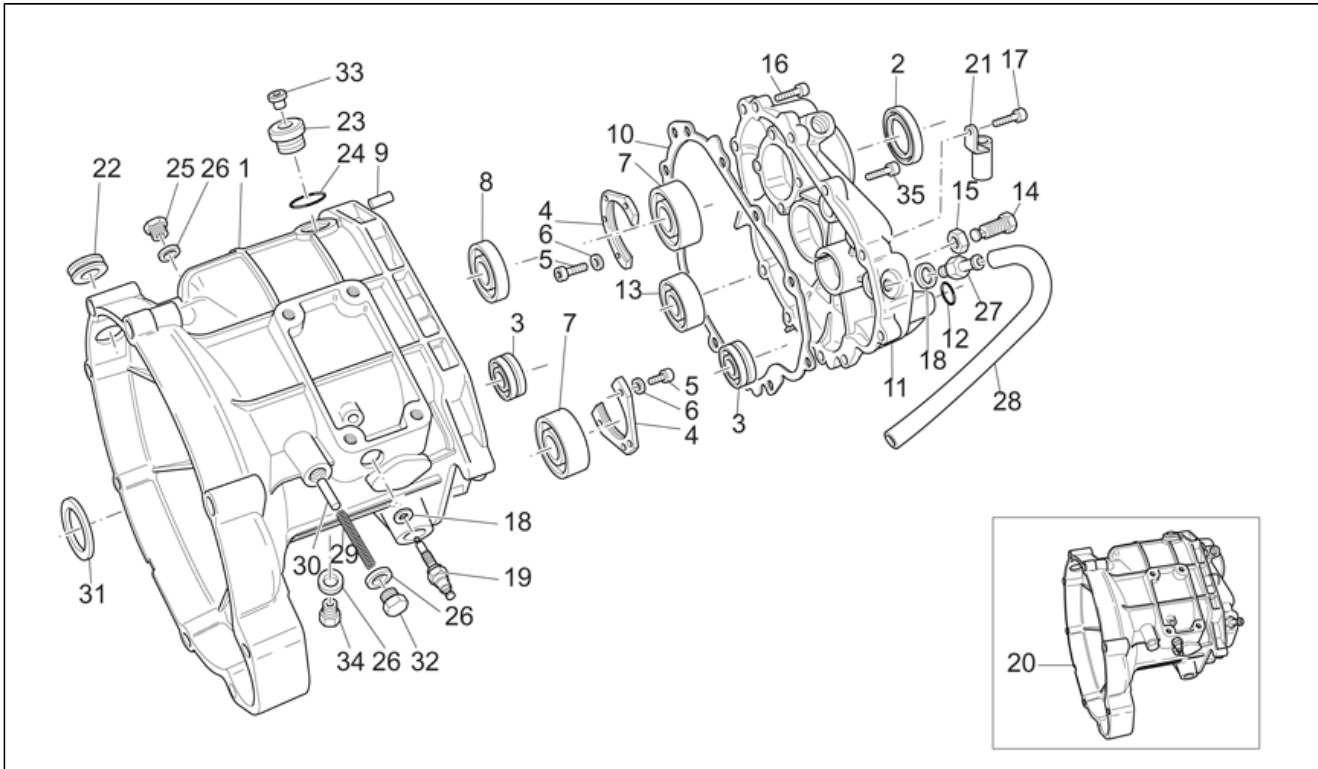
Pos.	Code	Description	Q.ty	Variants
1	GU13084100	Clutch spring	8	Technical Specifications: From engine number KN 14810[M4]
2	GU12082901	Disc	1	Technical Specifications: From engine number KN 14810[M4]
3	GU03084400	Clutch plate complete	2	Technical Specifications: From engine number KN 14810[M4]
4	GU12082300	Intermediate plate	1	Technical Specifications: From engine number KN 14810[M4]
5	GU12082800	Cup	1	Technical Specifications: From engine number KN 14810[M4]
6	GU14085700	Rod	1	
7	GU14085900	Bush	2	
8	GU14086000	Inner body	1	
9	GU12087001	Thrust bearing	1	
10	GU14086100	Outer body	1	
11	GU90706170	O-ring 17,13x2,62	1	
12	GU14090202	Clutch relese shaft	1	
13	GU94321105	Lever return spring	1	
14	GU14090400	Adjuster screw	1	
15	GU92606508	Nut	1	
16	GU95780271	Pin 7x39	1	
17	GU95500222	Split pin	1	

Assembly	ENGINE
Code	34.13
Description	Transmission cage
Revision	1



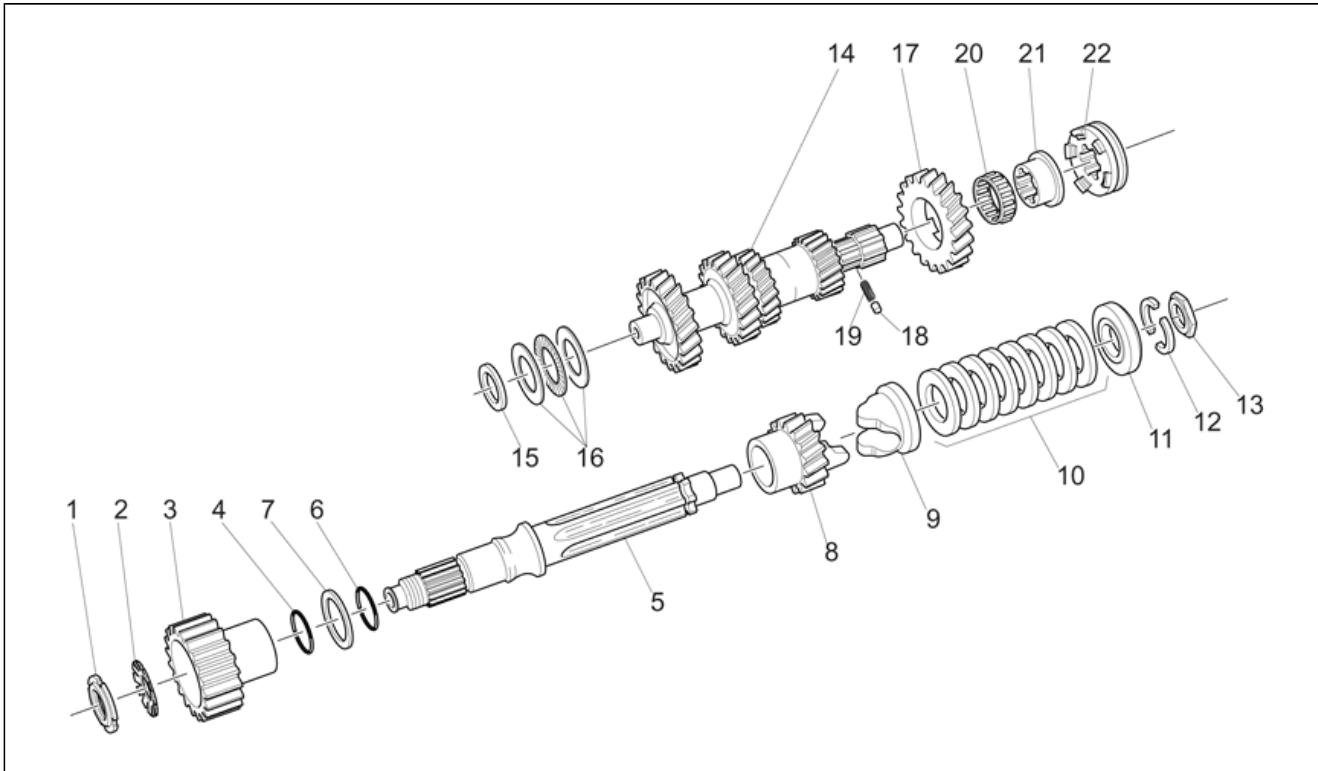
Pos.	Code	Description	Q.ty	Variants
1	GU03200255	Gearbox black	1	
2	GU90403547	Gasket ring 35x47x7	1	
3	GU92256218	Roller bearing 17x35x15	2	
4	GU14213803	Plate	2	
5	GU98682316	Hex socket screw M6x16	6	
6	GU14217901	Washer 6,4x10x0,7	6	
7	GU92218424	Ball bearing AF/AS 25x52	2	
8	GU92234717	Roller bearing AS 17x47x14	1	
9	GU95512081	Pin	2	
10	GU14201110	Gasket	1	
11	GU03200855	Case cover black	1	
12	GU90706140	O-ring 13,95x2,92	1	
13	GU92201417	Ball bearing AP 17x47x14	1	
14	GU14237800	Screw	1	
15	GU92606512	Low nut M12x1,25	1	
16	GU98682325	Hex socket screw M6x25	9	
17	GU98680335	Hex socket screw M6x35	1	
18	GU12154200	Gasket 8,25x15x1	4	
19	GU19207220	Sensor	1	
20	GU03991571	Complete gearbox black	1	Technical Specifications: Up to engine number KN 14809[M3]
20	GU03991572	Complete gearbox black	1	Technical Specifications: From engine number KN 14810[M4]
21	GU30424660	Support	1	
22	GU93180220	Plug	1	
23	GU12022600	Oil plug	1	
24	GU90706203	O-ring 20,24X2,62	1	
25	GU95980214	Oil level plug	1	

Assembly	ENGINE
Code	34.13
Description	Transmission cage
Revision	1



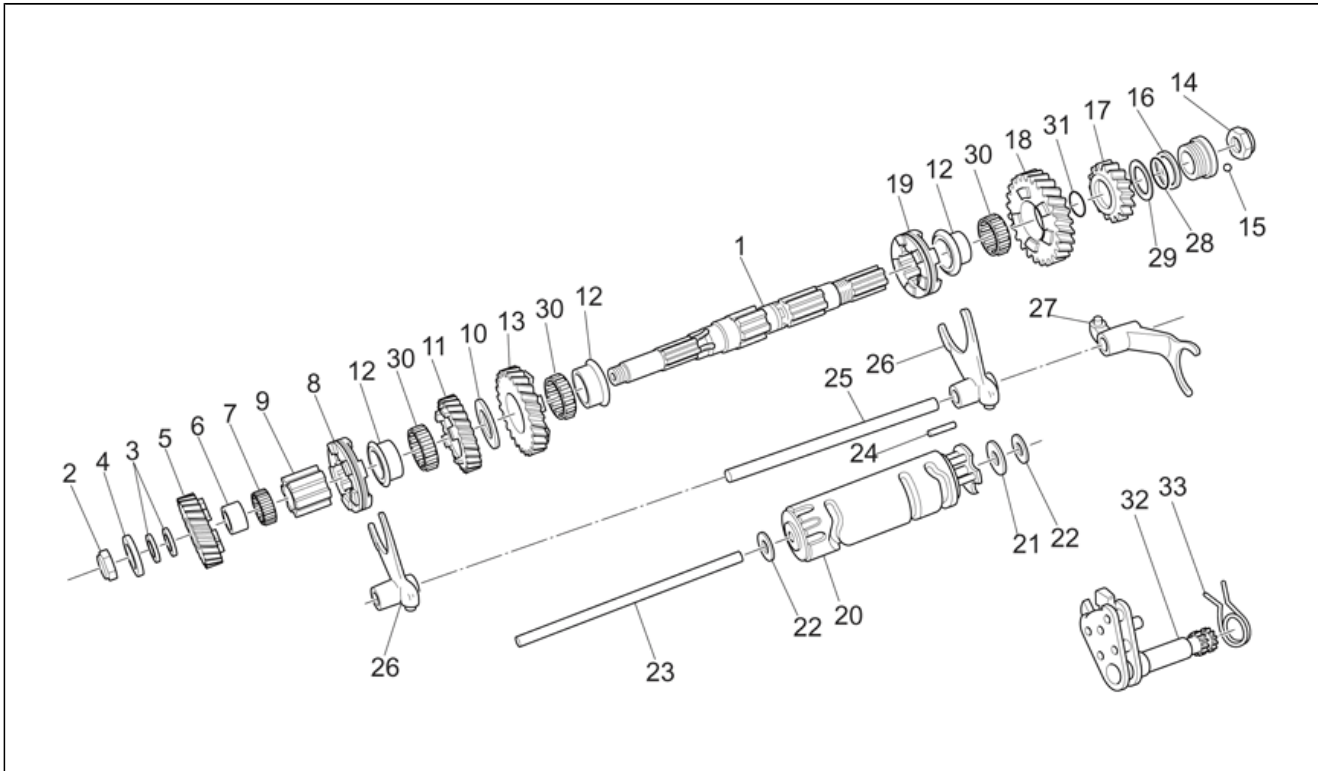
Pos.	Code	Description	Q.ty	Variants
26	GU01528930	Gasket 10x18x1,5	3	
27	GU14204955	Oil breather valve	1	
28	GU00823956080	Rubber pipe 12,5X7,8 5/16"	1	
29	GU94321067	Lever return spring	1	
30	GU28234700	Pawl	1	
31	GU90403548	Gasket ring 35x47x7/6,5	1	
32	GU95980610	Plug	1	
33	GU93180245	Plug	1	
34	GU31003766	Oil unload plug	1	
35	GU98882325	Low head socket screw M6x25 M6x25	1	

Assembly	ENGINE
Code	34.14
Description	Primary gear shaft
Revision	1



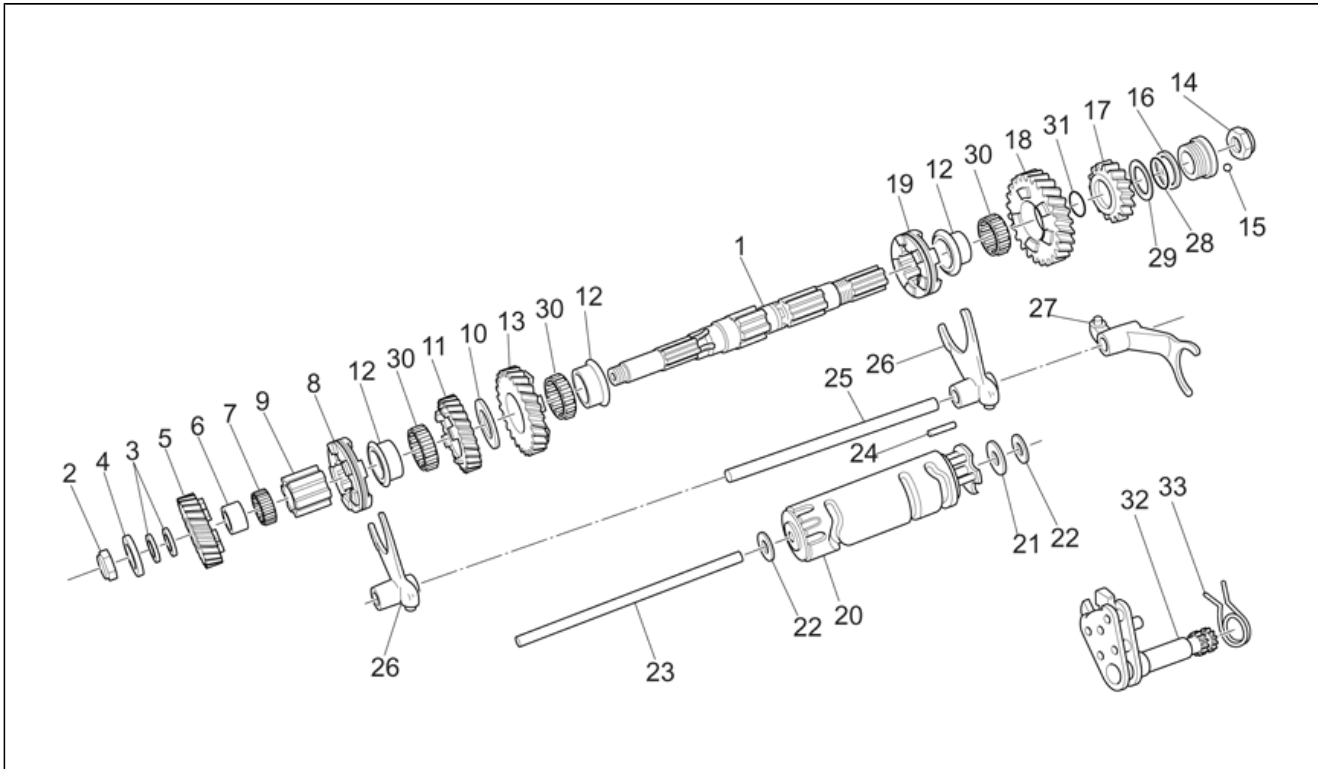
Pos.	Code	Description	Q.ty	Variants
1	GU93601022	Ring nut	1	
2	GU95028022	Washer 22x20x3,9	1	
3	GU03211630	Clutch gear	1	Technical Specifications: Up to engine number KN 14809[M3]
3	GU30081810	Clutch gear	1	Technical Specifications: From engine number KN 14810[M4]
4	GU90706235	O-ring 23,52x1,78	1	
5	GU14210702	Clutch shaft	1	
6	GU90706203	O-ring 20,24x2,62	1	
7	GU14218401	Oil-spreading washer 25,1x36x0,5	1	
8	GU03211160	Idle gear Z=17	1	
9	GU03211260	Hose	1	
10	GU04211500	Belleville spring	8	
11	GU03211660	Disc	1	
12	GU12211700	Half ring	2	
13	GU14219401	Spacer	1	
14	GU14210513	Primary gear shaft	1	
15	GU18211050	Thrust washer sp.2	1	
15	GU18211051	Thrust washer sp.2,1	1	
15	GU18211052	Thrust washer sp.2,2	1	
15	GU18211054	Thrust washer sp.2,4	1	
16	GU92258525	Roller bearing	1	
17	GU03212000	Gear 5a AP 5 inn.Z=28	1	
18	GU92296750	Roller	1	
19	GU94321051	Spring	1	
20	GU92251030	Roller cage 30x35x13	1	
21	GU14212210	Bush 5a AP	1	
22	GU30231525	Sliding sleeve 5a	1	

Assembly	ENGINE
Code	34.15
Description	Driven shaft
Revision	1



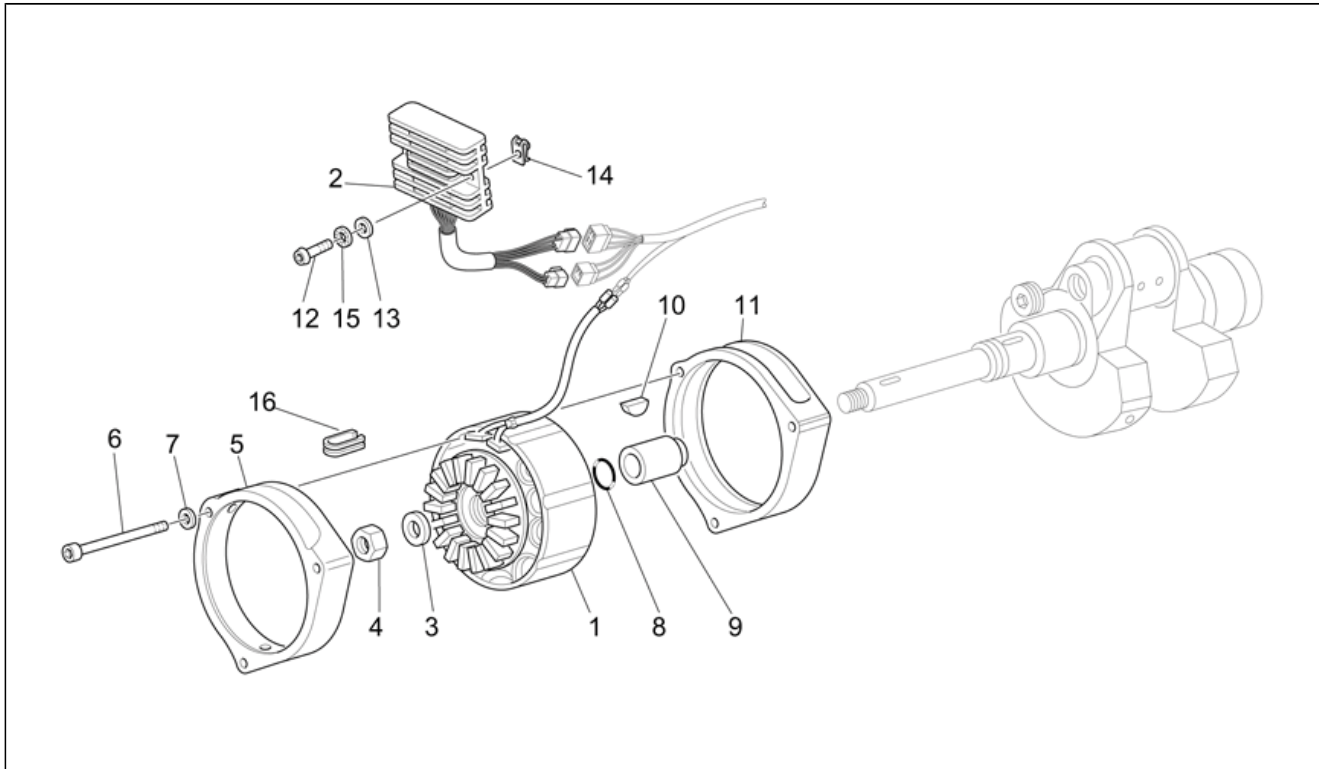
Pos.	Code	Description	Q.ty	Variants
1	GU14213612	Driven shaft	1	
2	GU14217410	Nut	1	
3	GU43083810	Shim 17,25x27x0,5	4	
4	GU14215400	Clearance washer 17,1x30	1	
5	GU03215100	Gear 4a AS 5 inn.Z=20	1	
6	GU92259017	Ring 4a	1	
7	GU92251022	Roller cage 4a A.S.	1	
8	GU30231025	Hose 3a-4a AS 5 inn.	1	
9	GU14232512	Hose	1	
10	GU14218011	Washer 25x40x3	1	
11	GU03214800	Gear 3a AS 5 inn.Z=22	1	
12	GU14213001	Bush 1a-2a-3a AS	2	
13	GU03214500	Gear 2a AS 5 inn.Z=25	1	
14	GU14219310	Nut	1	
15	GU92295702	Ball	1	
16	GU14217300	Washer 22,1x32x2	1	
17	GU14215213	Gear 5a AS Z=21	1	
18	GU30214225	Gear 1a AS 5 inn.Z=28	1	
19	GU30230725	Sliding sleeve 1a-2aAS5 inn	1	
20	GU03234400	Shift cam	1	
21	GU14235500	Washer 8,2x28x1	1	
22	GU55235000	Shim 0,6 mm	2	
22	GU55235001	Shim 0,8 mm	2	
22	GU55235002	Shim 1 mm	2	
22	GU55235003	Shim 1,2 mm	2	
23	GU14234300	Rod	3	
24	GU14234600	Pin	1	
25	GU14232400	Rod	4	

Assembly	ENGINE
Code	34.15
Description	Driven shaft
Revision	1



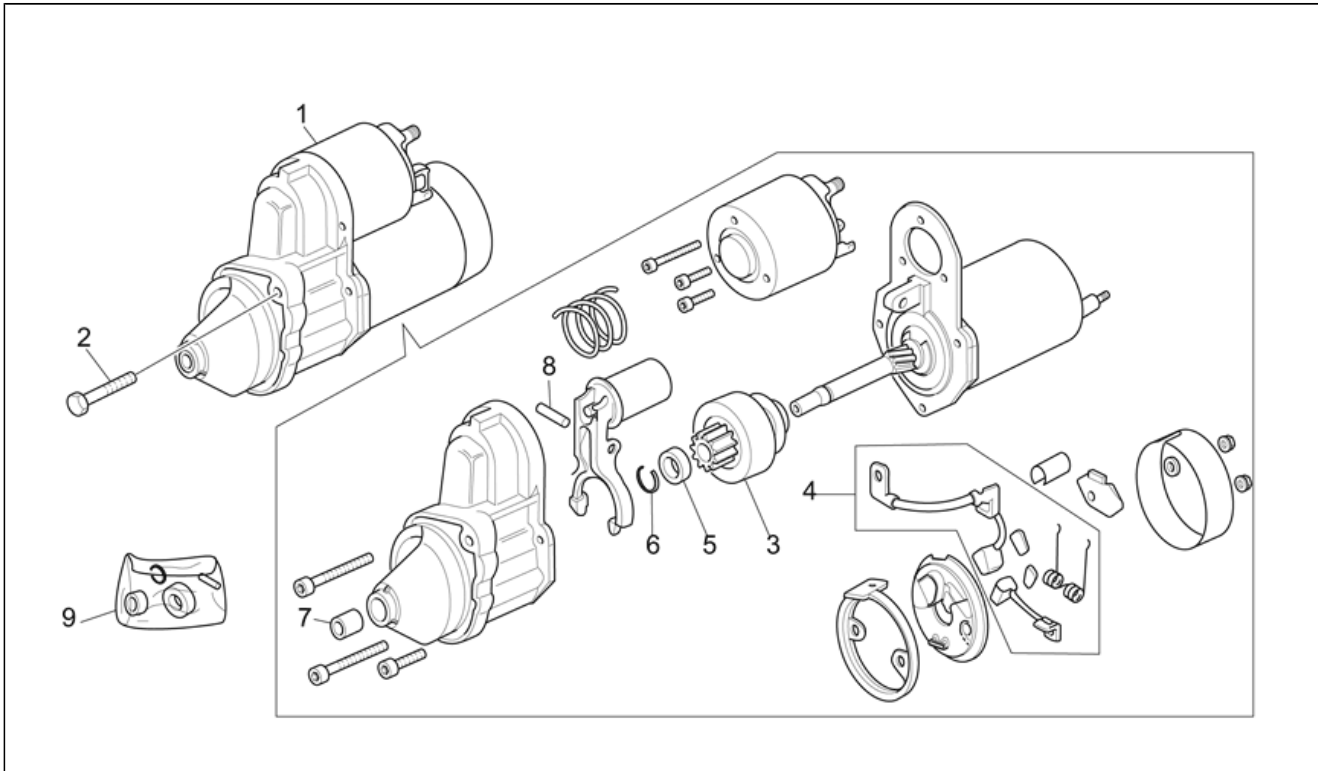
Pos.	Code	Description	Q.ty	Variants
26	GU14230501	Fork 1a-2a-3a-4a	1	
27	GU14231201	Fork 5a	2	
28	GU90706219	O-ring 21,95x1,78	1	
29	GU28217350	Washer	1	
30	GU92251030	Roller cage 30x35x13	3	
31	GU90706203	O-ring 20,24X2,62	1	
32	GU03236250	Preselection complete	1	
33	GU28238261	Spring	1	

Assembly	ENGINE
Code	34.41
Description	Generator - Regulator
Revision	1



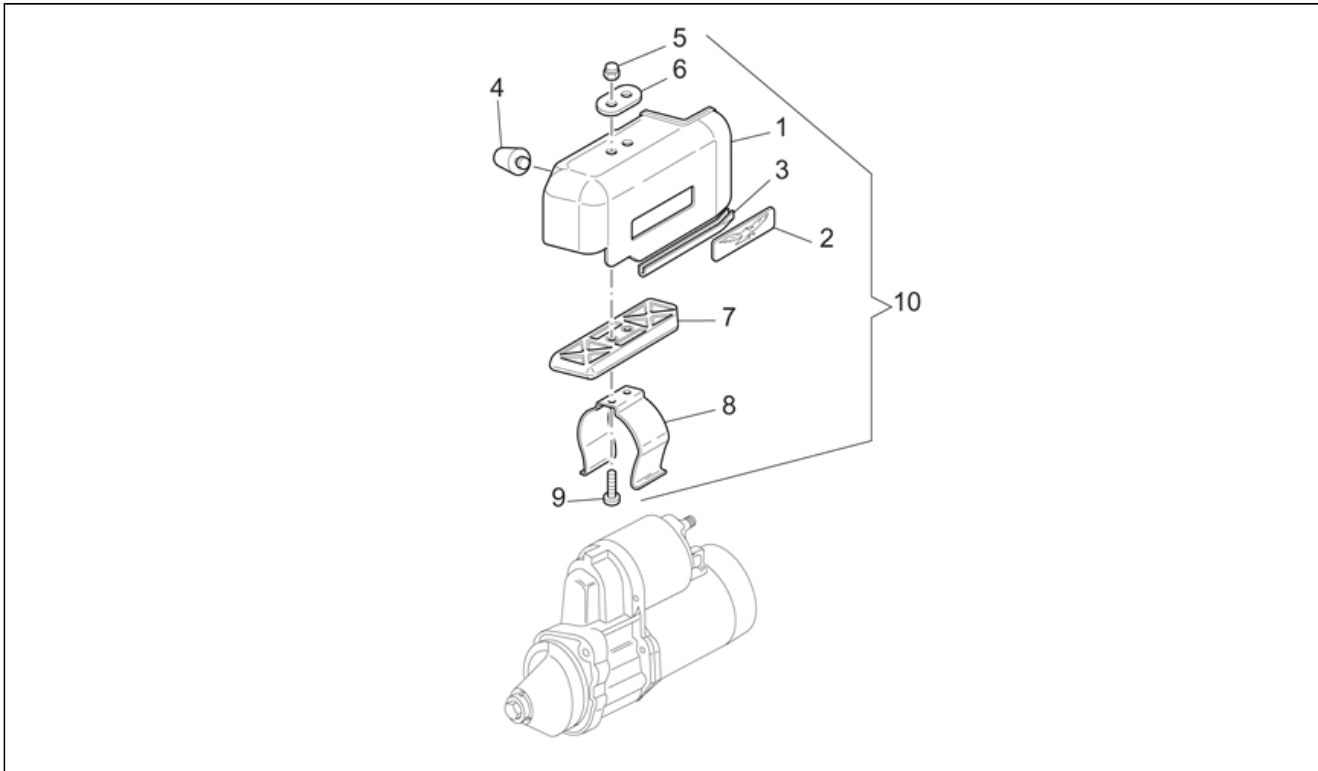
Pos.	Code	Description	Q.ty	Variants
1	GU37712405	Generator	1	
2	GU03703870	Regulator	1	
3	GU30714201	Washer 16,25x24,5x5	1	
4	GU92606516	Nut M16	1	
5	GU29711460	Front calotte	1	
6	GU98680265	Hex socket screw M5x65	3	
7	GU29217960	Washer 5,9X3X0,8	3	
8	GU90706178	O-ring 17,86X2,62	1	
9	GU37712306	Spacer	1	
10	GU91600450	Transmission key	1	
11	GU29711960	Rear cap	1	
12	GU98692325	Hex socket screw M6x25	2	
13	GU95008306	Washer 6,4x12x1,2	2	
14	GU28576591	Clip M6	2	
15	GU14217901	Washer 6,4x10x0,7	2	
16	GU19007700	Rubber spacer	1	

Assembly	ENGINE
Code	34.42
Description	Starter motor
Revision	1



Pos.	Code	Description	Q.ty	Variants
1	GU30730711	Starter motor Valeo	1	
2	GU98082475	Screw	2	
3	GU30530510	Pinion assy	1	
4	GU30530511	Brush revision set	1	
5	0000000	Tyre 110/90"	1	
6	0000000	Tyre 110/90"	1	
7	0000000	Tyre 110/90"	1	
8	0000000	Tyre 110/90"	1	
9	GU30530512	Starter motor revision kit	1	

Assembly	ENGINE
Code	34.43
Description	Starter motor cover
Revision	1



Pos.	Code	Description	Q.ty	Variants
1	GU03733365	Starting motor cover steel	1	Technical Specifications: Aluminium version 2003[AL]
1	GU03733367	Starting motor cover grey	1	Technical Specifications: Titanium version 2003[TI]
2	GU01517700	Decal "Aquila"	1	
3	GU00823931055	Gasket	1	
4	GU93180577	Rubber spacer	1	
5	GU92787205	Cap nut M5x0,8	2	
6	GU03436300	Plate	1	
7	GU03733000	Insulating spacer	1	
8	GU03733400	Hose clamp	1	
9	GU03733500	Screw M5x18	2	